

MultimpactMax™ Hammer Mill.

**Unparalleled heavy-duty
performance.**

The MultimpactMax™ hammer mill provides industry leading throughput capacities on a wide range of friable and fibrous products with exceptionally uniform particle size distribution from coarse to fine applications.

Product Features

Combination of Multimpact™ Technology
Impact plate, flow interrupters, staggered rotor, clustered hammers, air swept design and optimized tip speed deliver higher throughput at finer granulations.

Heavy-duty ultra-robust machine
The most robust hammer mill in the industry, designed for high capacity and continual uptime.

Vibration-free design
Reduces noise and wear, improves health and safety of nearby personnel.

All abrasion-resistant (AR) wear parts
Long-lasting wear parts designed for rapid change out.

Standard safety equipment
Motor/rotor standstill zero-speed sensor, heavy duty trapped key door lock system, door proximity sensor, vibration sensor, all new safety guards set a new standard for hammer mill safety.

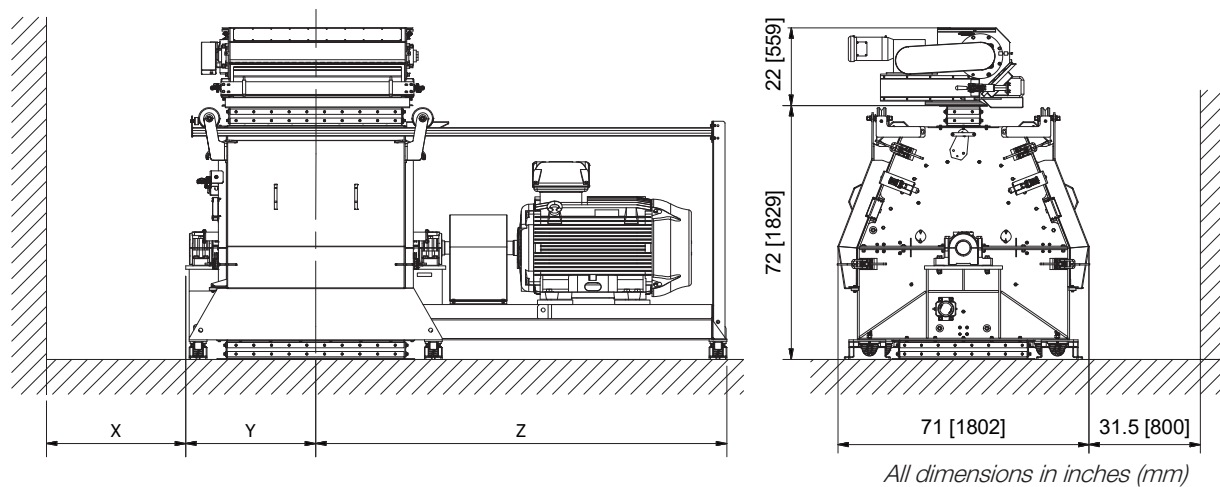
Operator friendly design
Top rail mounted rolling access doors fully open for easier, faster maintenance of hammers, screens and wear surfaces.

Performance Features

- Large screen area provides high capacity with low heat generation.
- Multimpact™ grinding technology enables finer grinding at a higher capacity.
- More efficient hammer to screen approach angle effectively reduces coarser fractions in particle size distribution.
- Optimized 19,782 fpm (99 m/s) hammer tip speed produces uniformly sized particles at unparalleled production rates.
- Staggered plate rotor creates full-width hammer-to-screen coverage, completely eliminating dead zones for more efficient grinds.
- Triple flow interrupter zones stop material rotation, providing increased hammer action on the particles and accelerating release.

Innovations for a **better world.**

MultimpactMax™ Technical Info/Dimensions



AUBI-	1542		3042		5042		6042	
	(in)	(mm)	(in)	(mm)	(in)	(mm)	(in)	(mm)
X Dimension	15.75	400	30.75	781	50.75	1289	60.75	1543
Y Dimension	18.25	464	25.75	654	36.75	933	42.125	1070
Z Dimension	78.75	2000	97.75	2483	116.25	2953	121.625	3089
Total Length	97	2464	123.5	3137	153	3886	163.75	4159
Total Width	71	1803	71	1803	71	1803	71	1803
Total Height	72	1829	72	1829	72	1829	72	1829
Total Height w/ Feeder	94	2388	94	2388	94	2388	94	2388
Weight w/o Feeder & Motor	5,960 lb	2700 kg	6,500 lb	2950 kg	9,550 lb	4330 kg	11,300 lb	5125 kg
Screen Area	1350 in ²	87 dm ²	2700 in ²	174 dm ²	4500 in ²	290 dm ²	5400 in ²	348 dm ²
Tip Speed	19,8 f/m	99 m/s	19,8 f/m	99 m/s	19,8 f/m	99 m/s	19,8 f/m	99 m/s
Motor Sizes	100HP	75 kW	200HP	150 kW	350HP	260 kW	500HP	370 kW
	125HP	90 kW	250HP	185 kW	400HP	300 kW	550HP	410 kW
	150HP	110 kW	300HP	220 kW	450HP	330 kW	600HP	450 kW

Operational RPM for all models is 1,800.

Dimensions subject to change without notice. Contact Bühler for exact dimensions.

Bühler Inc.

13105 12th Ave N
 Plymouth, MN 55441
 T +1 763 847 9900
 buhler.minneapolis@buhlergroup.com
 buhlergroup.com

