

MultimpactFine™ Hammer Mill.

**High-capacity fine grinding
425 to 45 micron size reduction.**

The MultimpactFine™ Hammer Mill provides industry leading fine granulation for demanding applications.

Product Features

Heavy-duty high-capacity fine grind machine
The most robust fine grind hammer mill in the industry designed for high capacity yet fine granulation.

Combination of Multimpact™ Technology
Double-impact plates, flow interrupters, staggered rotor, clustered hammers and optimized fine grind tip speed.

Vibration-free design
Reduces noise and wear, improves health and safety of nearby personnel.

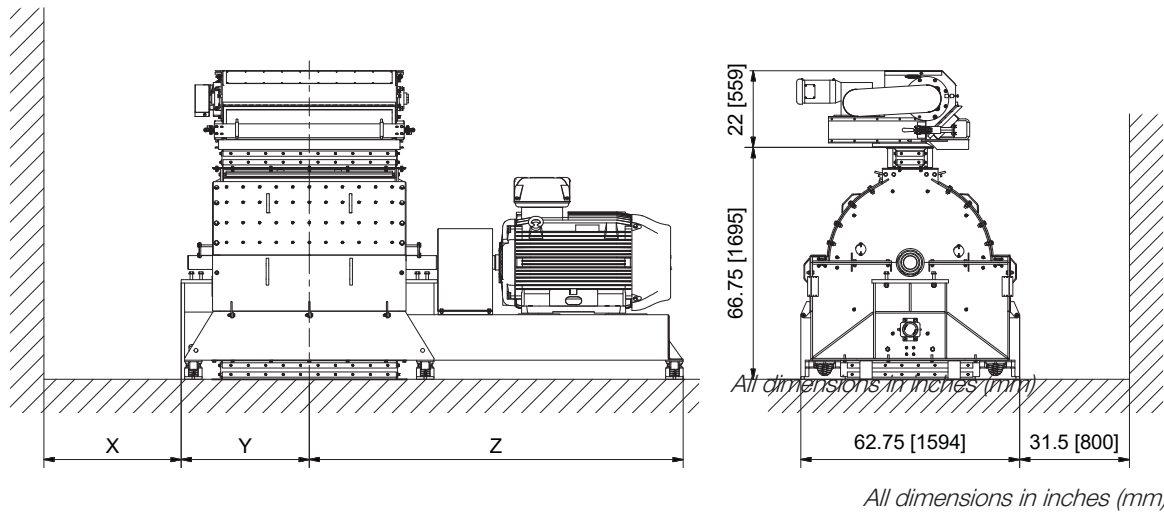
All abrasion-resistant (AR) wear parts
Long-lasting wear parts to withstand highly abrasive and demanding applications and designed for rapid change out.

Standard safety equipment
Motor/rotor standstill zero-speed sensor, heavy duty trapped key door lock system, door proximity sensor, vibration sensor, all new safety guards set new standard for hammer mill safety.

Performance Features

- Close tolerance, repetitive double-cutting plate system uniformly pulverizes particles before they reach classifying screens.
- Staggered plate rotor with 8 rows of clustered hammers creates full-width hammer-to-screen coverage, completely eliminating dead zones for more efficient grinds.
- Triple flow interrupter zones stop material rotation, providing increased hammer action on the particles and accelerating release.
- Optimized 21,677 fpm (109 m/s) hammer tip speed produces fine granulation at high capacity.

MultimpactFine™ Technical Info/Dimensions



AUBK-	1546		3046		5046		6046	
	(in)	(mm)	(in)	(mm)	(in)	(mm)	(in)	(mm)
X Dimension	15.75	400	30.75	781	50.75	1289	60.75	1543
Y Dimension	18.25	464	25.875	657	36.75	933	42.375	1076
Z Dimension	78.75	2000	90.375	2296	107.25	2724	112.875	2867
Total Length	97	2464	116.25	2953	144	3658	155.25	3943
Total Width	62.75	1594	62.75	1594	62.75	1594	62.75	1594
Total Height	66.75	1695	66.75	1695	66.75	1695	66.75	1695
Total Height w/ Feeder	88.75	2254	88.75	2254	88.75	2254	88.75	2254
Weight w/o Feeder & Motor	6,135 lb	2780 kg	6,800 lb	3085 kg	9,540 lb	4330 kg	11,375 lb	5160 kg
Screen Area	990 in ²	64 dm ²	1980 in ²	128 dm ²	3300 in ²	213 dm ²	3960 in ²	255 dm ²
Tip Speed	21,7 f/m	109 m/s	21,7 f/m	109 m/s	21,7 f/m	109 m/s	21,7 f/m	109 m/s
Motor Sizes	100HP	75 kW	150HP	110 kW	250HP	185 kW	350HP	260 kW
	125HP	90 kW	200HP	150 kW	300HP	220 kW	400HP	300 kW
	150HP	110 kW	250HP	185 kW	350HP	260 kW	450HP	330 kW

Operational RPM for all models is 1,800.
Dimensions subject to change without notice. Contact Bühler for exact dimensions.

Bühler Inc.

13105 12th Ave N
Plymouth, MN 55441
T +1 763 847 9900
buhler.minneapolis@buhlergroup.com
buhlergroup.com

