

The logo consists of a teal-colored stylized 'C' shape followed by the word 'BUHLER' in a bold, teal, sans-serif font.

Small Plansifter
Azurit Plus
MPAU

High performance and separation accuracy With maximum sanitation

The Small Plansifter Azurit Plus is used for sifting and grading powdered and granulated products with maximum sanitation.

Optimal space-performance ratio

The high throughput capacity of the machine combined with its high separation precision and small installation area ensure an excellent space-performance ratio.

Maximum sanitation

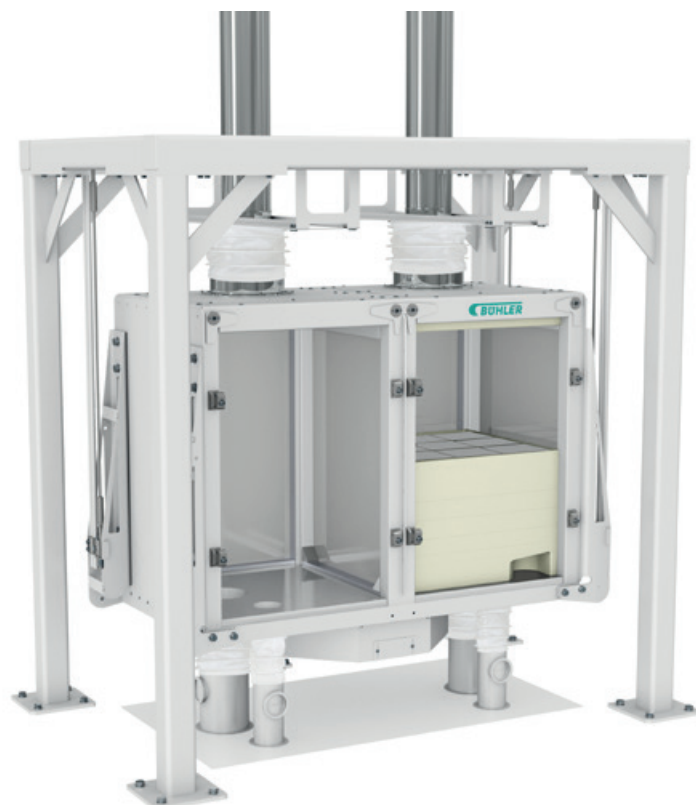
The materials used meet the highest requirements on food safety and thereby guarantee contamination-free sorting. All parts coming into contact with products are also easily accessible and therefore easy to clean.

High sifting and grading flexibility

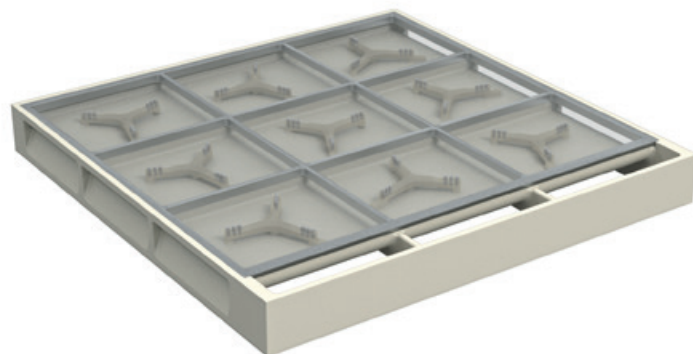
Thanks to various sieve frames, the flow sheet can be adapted to the specific requirements when sifting and grading different products.

Reliable operation

The Small Plansifter is made of high-quality materials and guarantees a long production lifecycle. The robust construction allows reliable operation with minimal maintenance requirements.



Small Plansifter Azurit Plus – for the highest sanitation requirements.



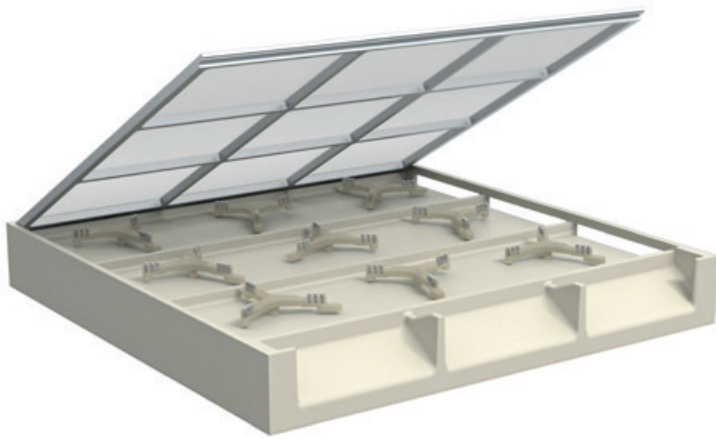
NOVATEC sieve frames made of plastic – for maximum sanitation.

Advantages

- Optimal space-performance ratio
- Maximum sanitation
- High sifting and grading flexibility
- Reliable operation

NOVATEC sieve stacks

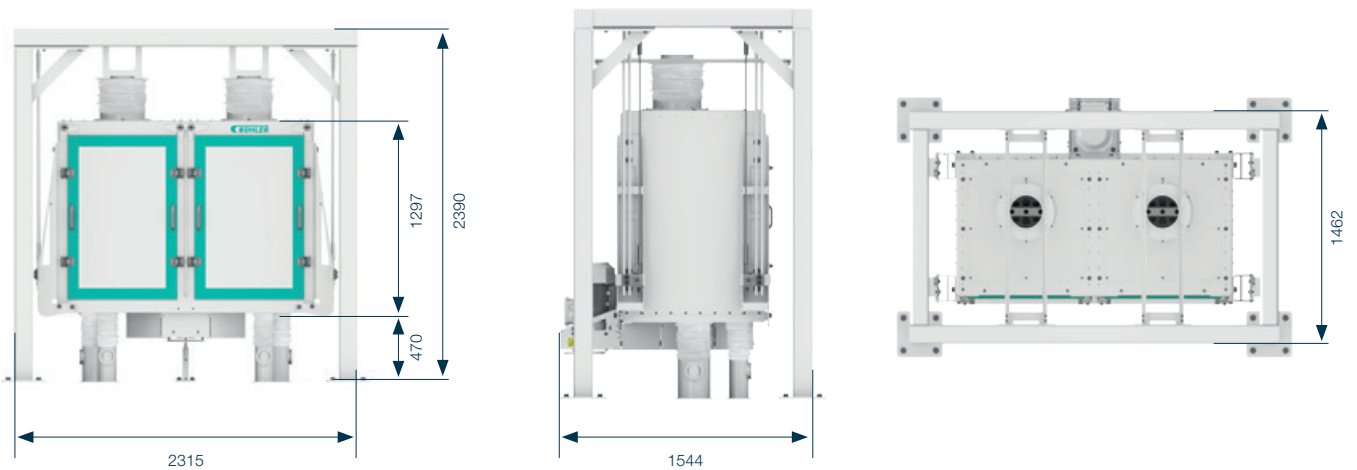
For contamination-free sifting



NOVATEC sieve features

- Completely made of plastic and aluminum
- For highest sanitation requirements
- Multifunctional NOVA sieve cleaner: cleans sieve covers and sieve trays at the same time
- No coatings or connecting components within sieve stacks
- Equipped with NOVAPRIME sieve fabric
- Easy cleaning

Small Plansifter				Motor	Weight (net)	Volume (sea packed)
Number of sieve stacks	Number of sieves per stack	Number of fractions per stack	Sieve area in m ²	kW	kg	m ³
2	10-12	2-5	8.1-9.7	2.2	1460	13.7



Bühler AG

CH-9240 Uzwil
Switzerland

T +41 71 955 11 11
F +41 71 955 66 11

buhlergroup.com/milling
milling@buhlergroup.com

Flyer Azurit Plus MPAU en 03/17 ZACC

