

Vibro Discharger. **MFVH.**

Application.

Bühler offers its MFVH vibro discharger for achieving a uniform flow of discharge of bulk materials from concrete, steel and plastic bins. The MFVH guarantees segregation-free and complete discharge of round, square or rectangular bins.

Hygienic design.

- All components in contact with the product have a streamlined geometry. This ensures complete discharge without segregation of the material stored.
- The design of the vibro discharger is such that dust traps are minimized. This essentially prevents residual deposits of material – maximizing product purity.

Low energy consumption.

The MFVH vibro discharger is equipped with compact vibromotor. This leads to minimized energy consumption.

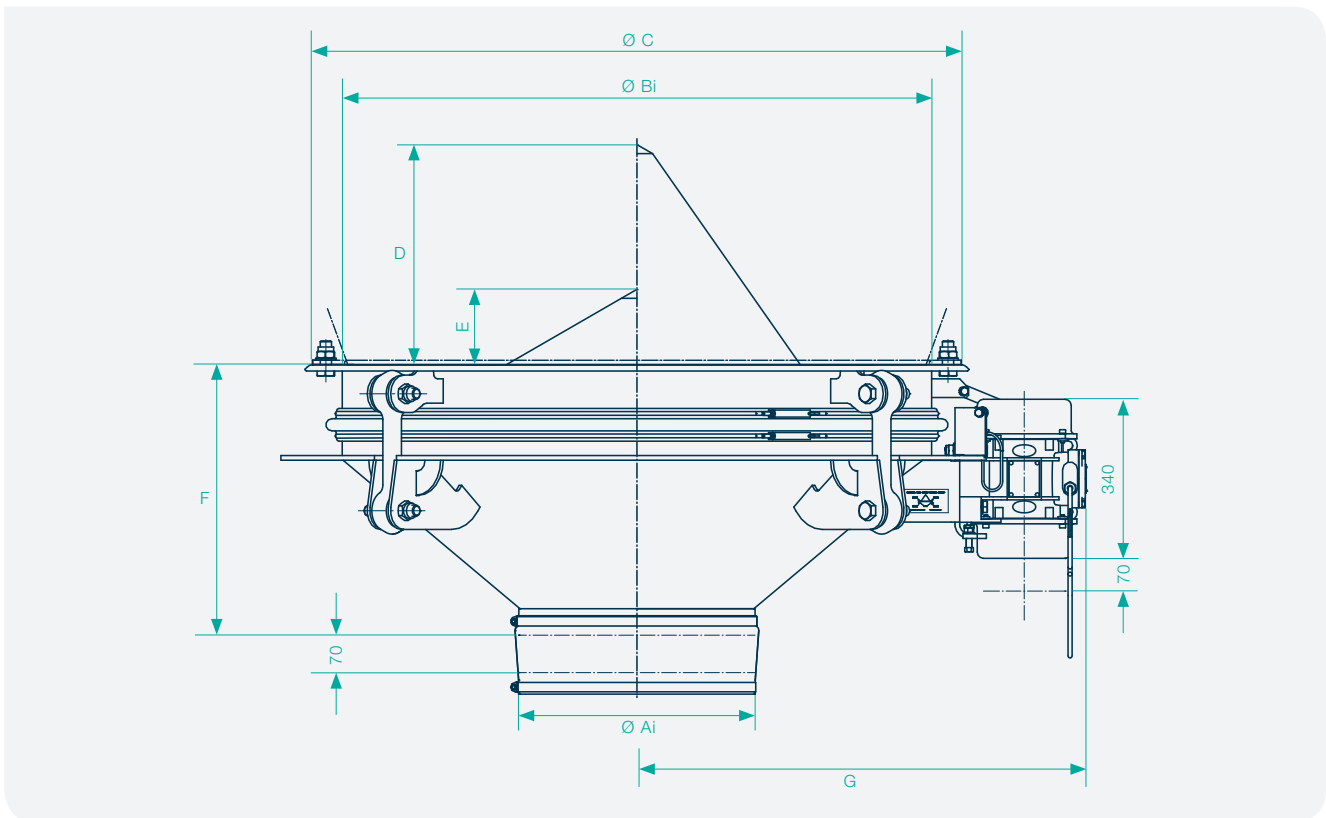
Low maintenance requirement.

- All bearings are lubricated for life. No relubrication is required during routine maintenance.
- The rugged design of the MFVH vibro discharger is characterized by its maintenance-free system components. This minimizes the time required for carrying out maintenance.

Features:

- High sanitation
- Low energy consumption
- Low maintenance

Complete discharge of round, square and rectangular bins.



The technical data of the Vibro Discharger MFVH at a glance:

Model	Outlet	Dimensions mm						Approx. weights kg net		Supply of several units stacks
		$\varnothing A_i$	$\varnothing B_i$	$\varnothing C$	D	E	F	G	I	
MFVH-80	200	800	970	156	-9	518	736	170	+ 170	2-5
	300	800	970	156	-9	477	736	170	+ 170	2-5
	400	800	970	217	51	477	736	170	+ 170	2-5
	500	800	970	217	51	389	736	170	+ 170	2-5
MFVH-125	300	1250	1420	395	99	666	961	300	+ 300	2-5
	450	1250	1420	395	99	606	961	300	+ 300	2-5
	500	1250	1420	454	159	578	961	300	+ 300	2-5
	600	1250	1420	454	159	533	961	300	+ 300	2-5
	750	1250	1420	454	159	466	961	300	+ 300	2-5
MFVH-180	900	1250	1420	515	219	400	961	300	+ 300	2-5
	300	1800	1970	463	111	897	1158	520	+ 520	2-3
	450	1800	1970	463	111	837	1158	520	+ 520	2-3
	500	1800	1970	524	172	809	1158	520	+ 520	2-3
	600	1800	1970	524	172	765	1158	520	+ 520	2-3
	750	1800	1970	524	172	697	1158	520	+ 520	2-3
	900	1800	1970	579	227	631	1158	520	+ 520	2-3

I = For single units II = Addition for additional units

Bühler AG

CH-9240 Uzwil, Switzerland T +41 71 955 11 11
buhlergroup.com F +41 71 955 66 11

