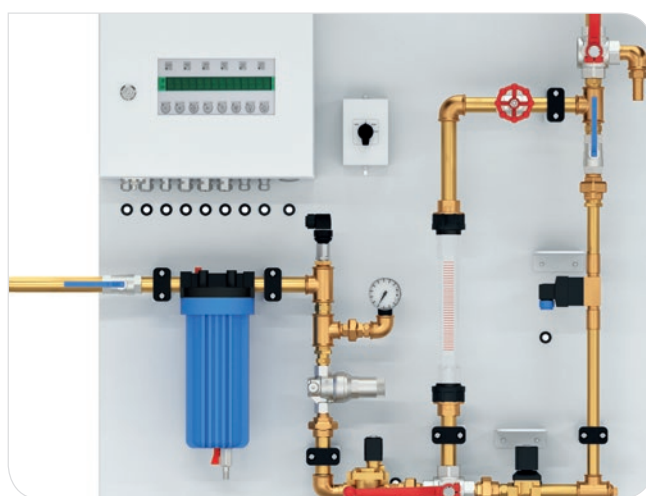




Automatic Moisture
Control System.
MYFE/MOZH.

Consistent grain moisture. **Effective grinding.**



The moisture measuring device and the liquid flow controller provide an optimal basis for achieving uniform grinding.

Automatic moisture control.

The moisture measuring device and the liquid flow controller automatically determine the grain moisture and the exact required water addition rate.

The inlet moisture, the grain throughput rate measured, and the target moisture are the crucial factors that the control electronics use for continuously calculating the dampening water volume that must be added. This volume is then accurately metered by the liquid flow controller.

The results of continuous moisture measurement and control in grain mills are important for achieving effective and uniform grinding of the grain.

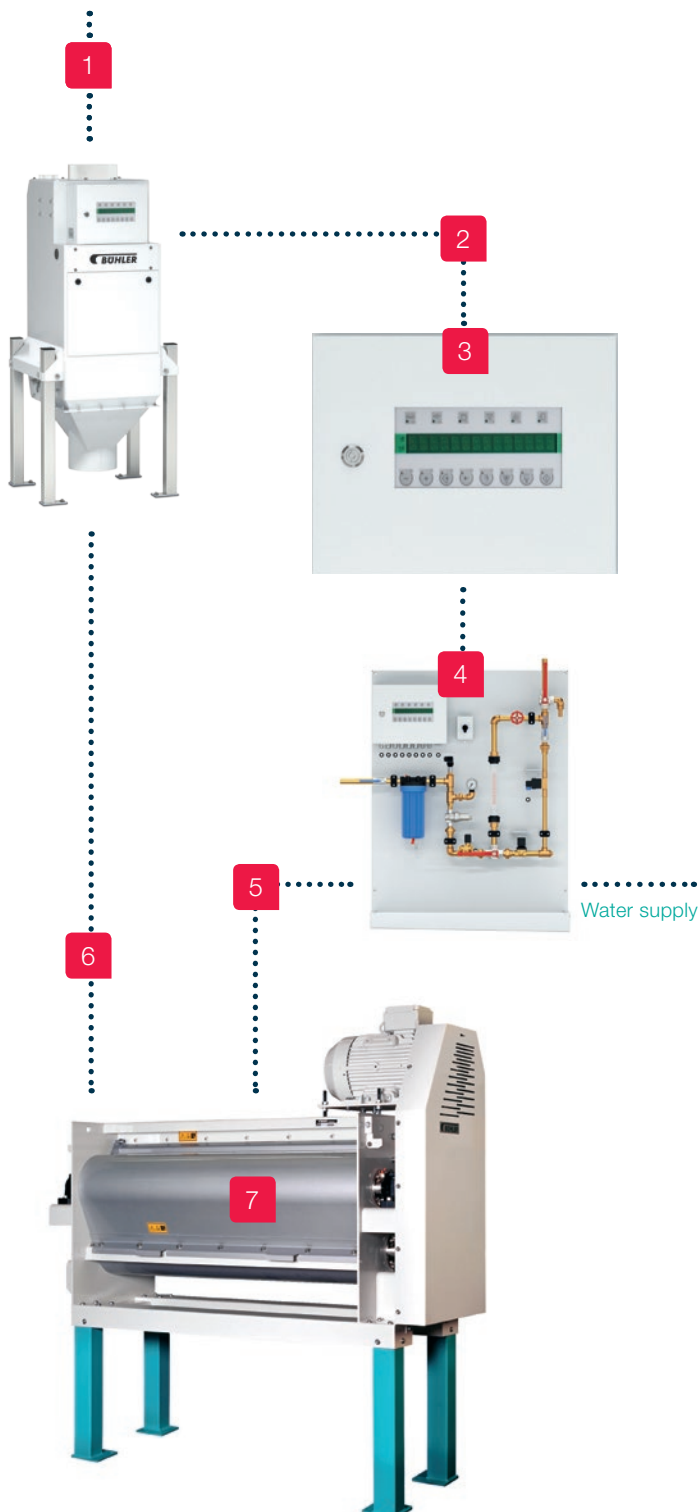


A consistent grain moisture ensures uniform grinding.

The advantages at a glance:

- Consistent product moisture
- High measuring and water metering accuracy
- Low maintenance requirement

Accurate moisture control. The process.



1

Grain flows into the MYFE.

2

Exact measurement of the grain moisture by microwave technology and measurement of the grain throughput rate by load cell.

3

On the basis of the actual moisture content, the grain throughput rate measured, and the target moisture, the control electronics calculate the dampening water volume that must be added.

4

The liquid flow controller meters the required dampening water volume.

5

The dampening water volume is fed to the grain dampener.

6

The grain flows from the moisture measuring device to the grain dampener.

7

Grain is dampened.

Moisture measuring device MYFE.

Accurate monitoring of the grain moisture.



- 1 MEAG Controller
- 2 Mass flow measurement
- 3 Moisture measurement with Microwave technology

Microwave technology and throughput measurement enable the moisture measuring device to supply exact results.

Uniform grain moisture.

The optimal interaction between the moisture tester and the moisture flow rate controller ensures a uniform and consistent product moisture.

High measuring accuracy.

Microwave technology guarantees that the moisture measuring device will always deliver accurate measurement results.

Compact and reliable.

The design of the moisture measuring device is rugged and compact.

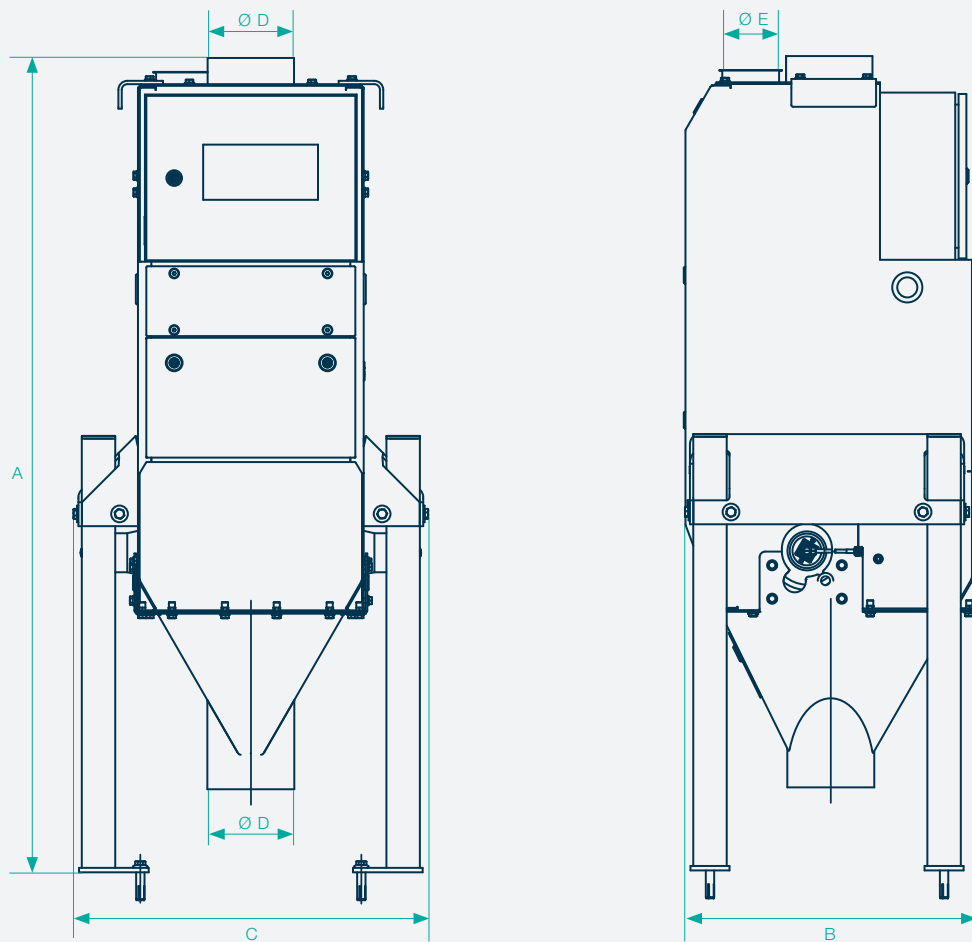
Low maintenance requirement.

Wear parts can be exchanged with ease, minimizing production downtimes.

Three sizes. **For high measurement accuracy.**

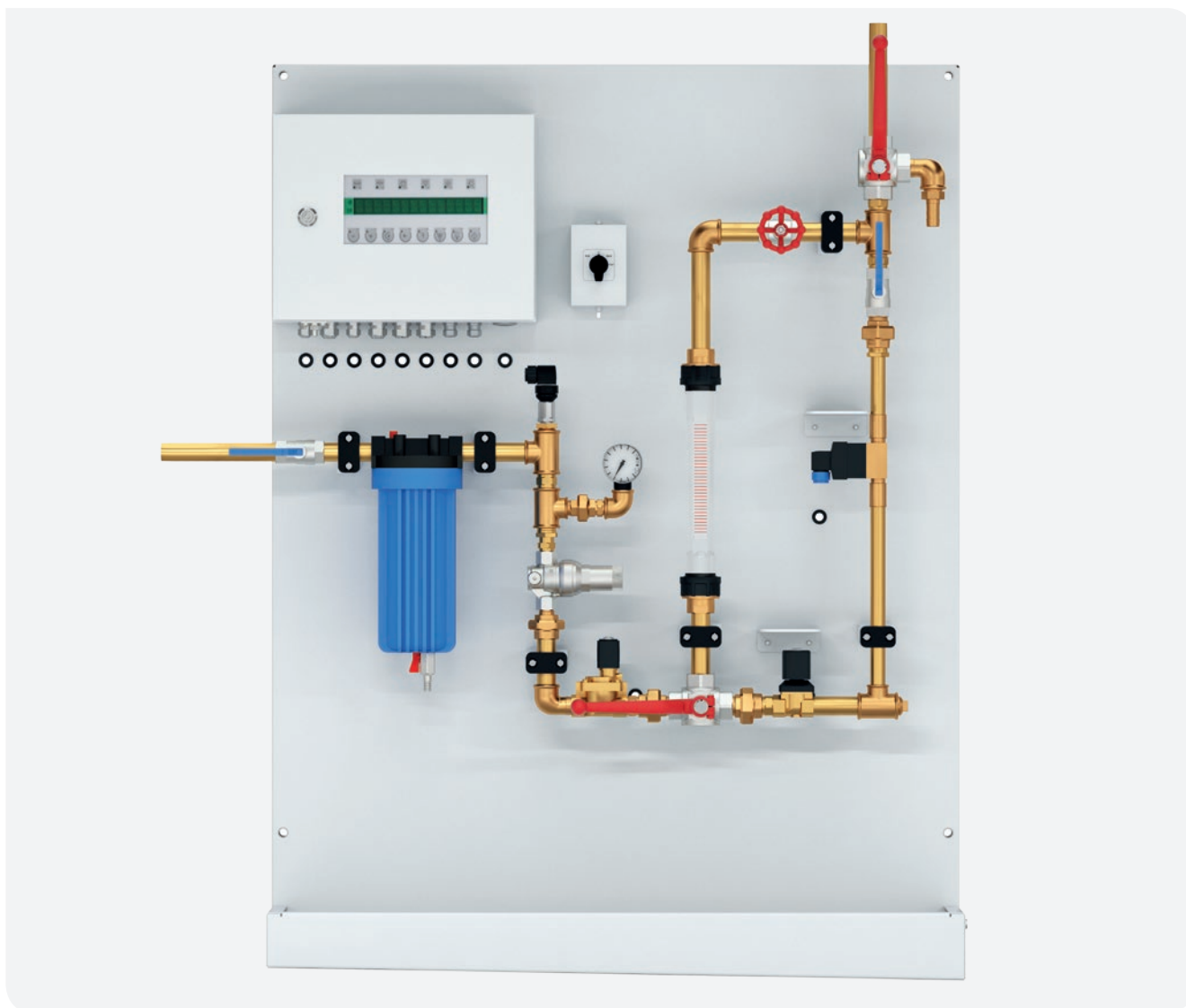
The technical data of MYFE moisture tester at a glance:

Model	Throughput t/h	Dimensions		B	C	Ø D	Ø E	Approx. weights net kg
		A min. mm	A max.					
MYFE-10	1-10	1362	1562	516	650	120/150	100	155
MYFE-30	10-30	1362	1562	516	650	120/150	100	155
MYFE-80	30-80	1623	1773	616	770	200/250	100	215



Liquid flow controller MOZH.

High dosing accuracy of dampening water.



Exact dosing of the liquid thanks to MOZH.

Exact water addition rate.

Accurate metering of the water volume calculated guarantees a consistent product moisture and ensures effective grain grinding.

Maximum flexibility.

The liquid flow controller can be used with both normal and chlorinated water (50 °C/600 ppm). If heavily contaminated water is used, an additional filter can be installed.

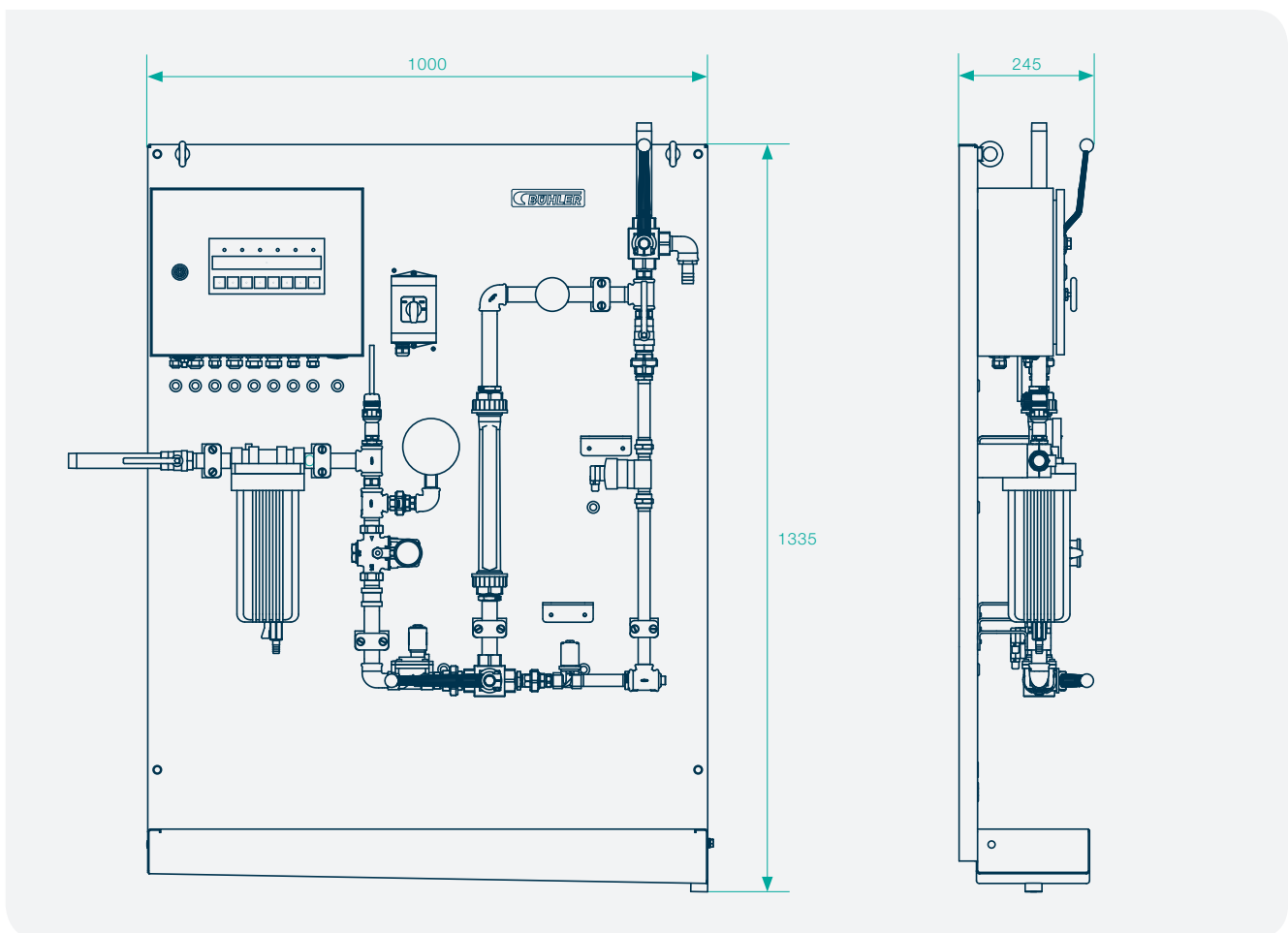
Four sizes. **For maximum flexibility.**

The technical data of MOZH liquid flow controller at a glance:

Model	Metering range in automatic operation l/h	Metering range in manual operation l/h	Weight kg	Min. inlet pressure of the liquid bar
MOZH-315-N	20 - 1000	31.5 - 315	74	1.5
MOZH-315-C	20 - 1000	31.5 - 315	74	1.5
MOZH-1000-N	20 - 1000	100 - 1000	74	2
MOZH-1000-C	20 - 1000	100 - 1000	74	2
MOZH-2250-N	180 - 2250	250 - 2250	75	2.5
MOZH-2250-C	180 - 2250	250 - 2250	75	2.5
MOZH-4500-N	180 - 4500	650 - 4500	76	4
MOZH-4500-C	180 - 4500	650 - 4500	76	4

N: normal water

C: chlorinated water



Bühler AG

CH-9240 Uzwil
Switzerland

T +41 71 955 11 11
F +41 71 955 66 11

buhlergroup.com

Flyer MYFE/MOZH en 09/17 ZACC