

# Bag closing belt conveyor.

MWTC/MWTQ/MWTM



# High-grade bag closure. Versatile and flexible.



**MWTC bag closing belt conveyor,  
MWTQ bag pusher, and  
MWTM bag turner.**

## **MWTC bag closing belt conveyor**

The MWTC bag closing belt conveyor is the professional solution for onward conveying of filled bags from their dump position after a single-spout bagger or bagging carousel to the bag closing system and the downstream conveyors. The possibility of one-sided or parallel height adjustment gives the bag closing belt conveyor the required flexibility for accommodating different bag sizes. Closed bags are turned by the MWTQ bag pusher at a right angle and by the MWTM bag turner in a straight direction and moved to the next conveyor.

## **Features**

- Wear-resistant modular belts of plastic approved for food applications
- Easy installation thanks to height adjustment that allows free positioning
- Steel skirtboards can easily be adjusted vertically and horizontally to accommodate different bag sizes
- High-grade bag closure thanks to synchronized bag closing and conveying speeds using a frequency converter

# Customized solutions. Versatile applications.



**MWTQ bag pusher.**



**MWTM bag turner.**

Gentle bag turning for the next conveyor.

## **MWTQ bag pusher**

At the end of the MWTC bag closing belt conveyor, the MWTQ bag pusher deposits the closed bag at a right angle on the downstream element, with the bag bottom facing forward. In the case of parallel height adjustment for accommodating widely varying bag sizes, a cross-belt is applied. Despite the height adjustment of the bag closing belt conveyor, the lying bag will be forwarded to the next element at a constant level. In the case of one-sided manual or motorized belt height adjustment, a chute is an alternative solution.

## **MWTM bag turner**

At the end of the MWTC bag closing belt conveyor, the MWTM bag turner transfers the closed bag in a straight direction to the next element, with the bag bottom facing forward. In the case of parallel height adjustment for lifting or lowering the bag closing belt conveyor, the lying bag is forwarded at a constant level. The MWTM bag turner with one-sided manual or motorized belt height adjustment is mounted on the floor.

# Easy speed adjustment. Easy maintenance.



## **The MWTC bag closing belt conveyor.**

Optimal bag closure thanks to frequency-controlled accelerating belt.



**With frequency-controlled drive.**  
Absolute synchronizing with the speed  
of the bag closing system.

## **Integrated frequency converter**

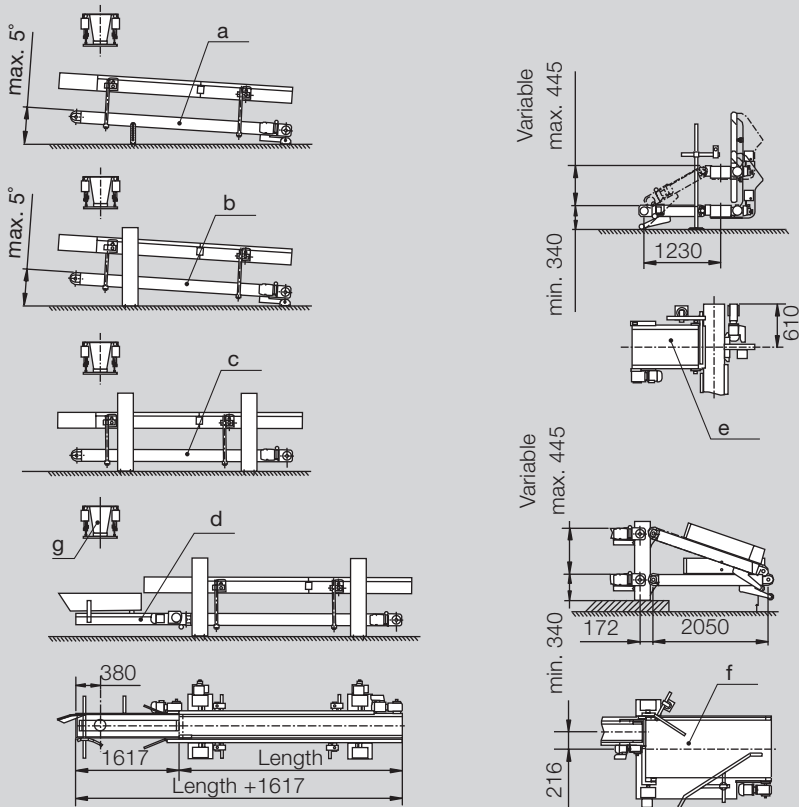
At high capacities, the bag discharged from the bagging unit will drop from a minimum height onto a stationary accelerating belt so that it comes to stand in a vertical position. The frequency-controlled drive allows the optimal acceleration to be achieved. The MWTC bag closing belt conveyor is absolutely synchronized by a potentiometer with the speed of the bag closing system, ensuring optimal bag closing.

## **Features**

- Modular design
- Easy speed selection
- Low space requirement
- Easy maintenance

# MWTC bag closing belt conveyor.

## Technical data.



- a) MWTC bag closing belt conveyor with one-sided manual height adjustment
- b) MWTC bag closing belt conveyor with one-sided motorized height adjustment
- c) MWTC bag closing belt conveyor with motorized parallel height adjustment
- d) MWTC accelerating belt
- e) MWTQ bag pusher with cross-belt
- f) MWTM bag turner
- g) Bag spout

Type	Length mm	Speed m/min.	Power requirement kW	Approx. weights in kg		
				net	gross	by sea
MWTC	2415	0-18	0.75	260	325	355
	2915	0-18	0.75	310	385	425
	3415	0-18	0.75	360	445	490
	3915	0-18	0.75	410	505	555
	4515	0-18	0.75	460	570	625
	5015	0-18	0.75	520	640	700
	5515	0-18	0.75	580	710	775
	6015	0-18	0.75	640	780	850
	6515	0-18	0.75	700	855	930
	7515	0-18	0.75	760	935	1020
Accelerating belt	-	0-60	0.55	+ 120	+ 155	+ 175
MWTQ bag pusher only	-	-	-	60	100	120
MWTQ with cross-belt	-	22 (50 Hz) 26 (60 Hz)	0.75	215	280	315
MWTM	-	22 (50 Hz) 26 (60 Hz)	0.55	275	355	395

Bühler AG  
CH-9240 Uzwil, Switzerland  
T +41 71 955 11 11  
F +41 71 955 66 11  
[www.buhlergroup.com](http://www.buhlergroup.com)

