



Vibrosifter.  
**MKZH.**

# High sifting capacity and sanitation. **Food safety that pays.**



Vibrosifter, for efficient sifting of the end product.

## **Application.**

The vibrosifter is used for centrifugation of coarse and fine bran or for the sifting of hard-to-sift, floury, or granulated products.

## **Flexible applications.**

The vibrosifter is available in two sizes, with a throughput range up to 2.6 tons/hour. The standard option is available in painted steel, whereas a stainless steel option is also available for the parts that come into contact with the product.

## **Operating principle.**

In addition to conventional sifters, the vibrosifter has a vibrating sifting body which has a positive impact on the sifting effect or cleanliness of the screen. The vibration is generated by eccentric fastening of the sifting box to the sifting mantle on the rotor axis.

### **Advantages at a glance:**

- High sifting capacity
- Fast screen changes
- Superior sanitation
- Superior accessibility

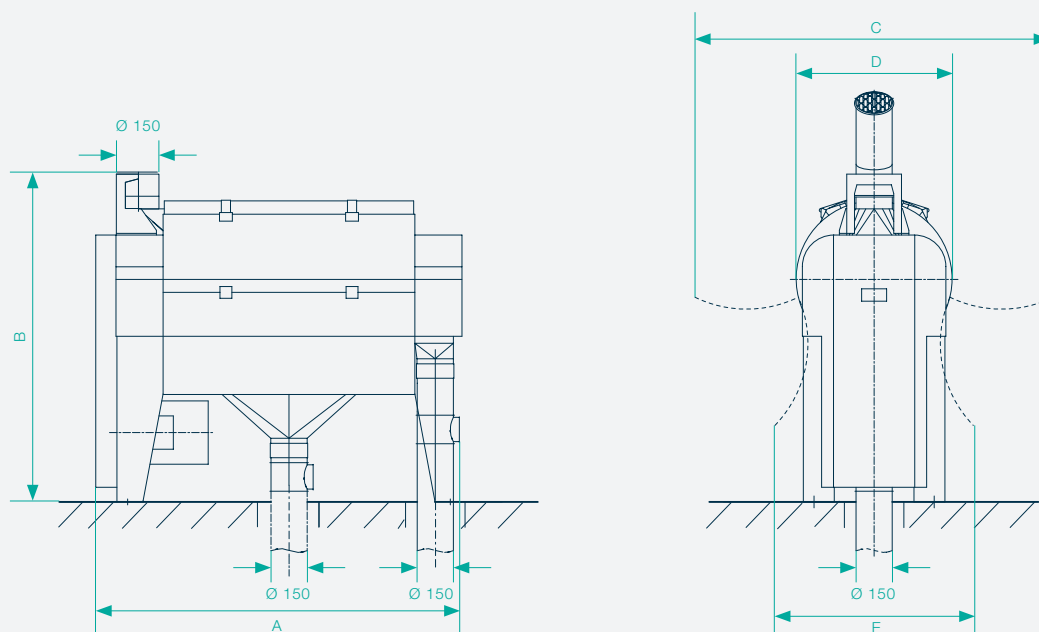
# Flexible applications. Efficient sifting.

Technical data of the MKZH vibrosifter at a glance:

Model	Through-put t/h	Aspiration m³/min	Sifting mantle Diameter Ø mm	Sifting mantle Length mm	Net screen area m²	Motor power (4-pole) kW	Weight (approx.) net kg
MKZH-4510F	0.7	3	450	1000	1.00	4	460
MKZH-4510B	1.5	3	450	1000	1.00	5.5	460
MKZH-6012F	1,0	6	600	1200	1.66	5.5	720
MKZH-6012B	2.8	6	600	1200	1.66	11	720

F=fLOUR/filter flour (nylon 202 µm)    B=brans/4th grist passage (wire 0.32 mm)

Model	Dimensions mm				
	A	B	C	D	E
MKZH-4510	1535	1387	1380	655	864
MKZH-6012	1835	1647	1690	805	1070



## **Bühler AG**

CH-9240 Uzwil  
Switzerland

T + 41 71 955 11 11  
F + 41 71 955 66 11

[buhlergroup.com/milling](http://buhlergroup.com/milling)

Flyer Vibrosifter MKZH en 03/18 ZACC