

CARAT 105 compact

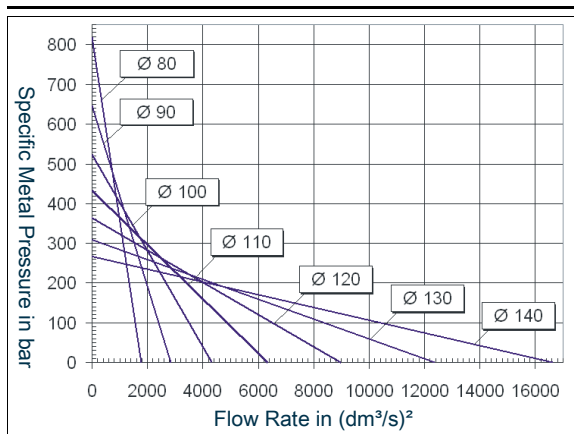
Injection Unit

Injection Force dynamic	kN	409
Injection Force Intensified	kN	1096
Plunger Stroke	mm	850
Maximum plunger Velocity	m/s	8.38
Injection Height	mm	0/-350

Closing Unit

Maximum Locking Force	kN	10500
Ejector Force	kN	400
Ejector Stroke	mm	220
Die Height	mm	562 - 1150
Die opening Stroke	mm	1000
Smallest permissible Die Dimensions	mm	750 x 750
Maximum permissible Surface Pressure	N/mm ²	100

p/Q² Diagram



Production Data

	mm	80	90	100	110	120	130	140
Plunger Diameter	mm	80	90	100	110	120	130	140
Maximum Casting Volume	cm ³	2847	3603	4448	5382	6405	7518	8719
Maximum Casting Weight Al	kg	7.1	9	11.12	13.45	16.01	18.8	21.8
Maximum Metal Pressure	bar	2182	1723	1396	1153	969	826	712
Maximum Projected Area	cm ²	481	609	752	909	1082	1271	1474

Casting Weight = $\frac{2}{3}$ x Plunger Stroke x Plunger Surface x Density (Al: 2,5 kg/dm³)

Hydraulic System

Installed Load	kW	80
Maximum System Pressure	bar	210
Filling Quantity	dm ³	2000
Water Cooling	m ³ /h	2.9

Central Lubrication

Installed Load	kW	0.1
Filling Quantity	dm ³	10

Nitrogen/Piston Accumulator

Maximum idle Pressure	bar	160
Filling Quantity	dm ³	195

Nitrogen/Intensifier

Maximum idle Pressure	bar	160
Filling Quantity	dm ³	65

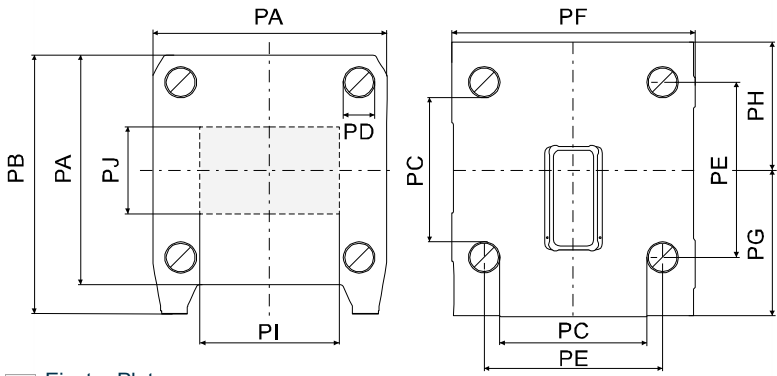
Simultaneous hydraulic unit

Usable volume	dm ³	24
Available accumulator pressure	bar max	200



CARAT 105 compact

Platen

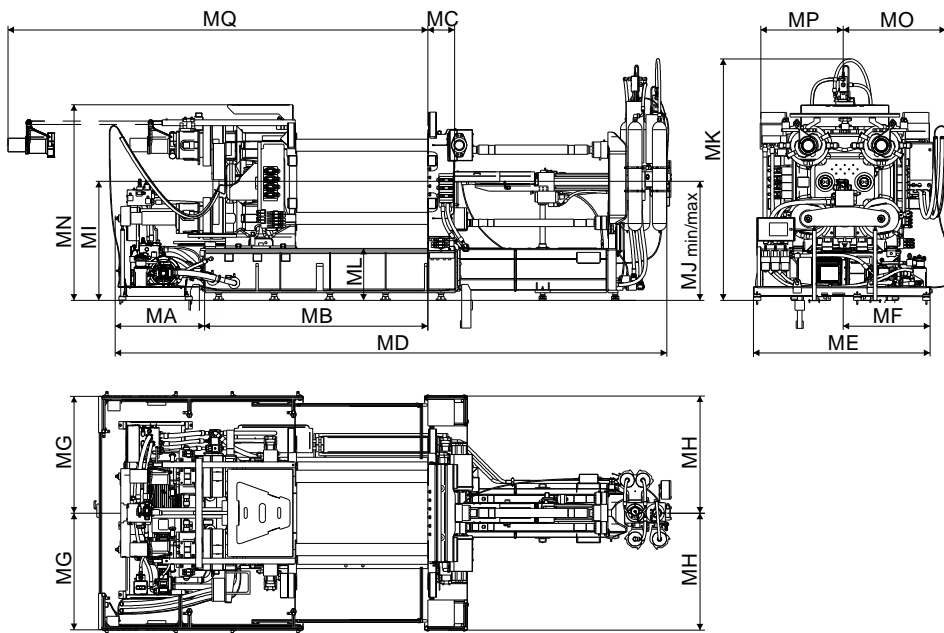


■ Ejector Plate

PA	1600
PB	1988
PC	1000
PD	200
PE	1200
PF	1600
PG	1128
PH	860
PI	980
PJ	760
mm	

Dimension/Weight

Weight of machine ready for production = 51000 kg



MA	1375
MB	3670
MC	440
MD	9047
ME	2900
MF	1401
MG	1920
MH	1922
MI	1940
MJmin	1590
MJmax	1940
MK	3965
ML	847
MN	3204
MO	1601
MP	1374
MQ	6895
mm	

Control

Installed Load at 400V / 50 Hz = 80 kW

P) Option 670

