

A close-up photograph of a white industrial machine with teal accents. A yellow label is affixed to the machine, featuring the 'BÜHLER' logo in black and the word 'Mehl' in a smaller font. The machine's surface has a fine, perforated texture. A teal semi-circular graphic element is overlaid on the right side of the image.

**BÜHLER** Mehl

Small plansifter  
Seginus  
**MPAS**

# Hygienic Design. For maximum product safety.

## Versatile sifting and sorting.

The small plansifter Seginus sifts and sorts grist- and flour-type products in wheat, rye, corn and durum wheat mills. In addition, granular products or free-flowing granulates can be reliably graded.

## Flexible integration.

The small plansifter Seginus is used in the grinding process or as a control sifter and can be flexibly integrated into any production environment and process chain. The MPAS-114 is suspended from a self-sustaining frame, while the MPAS-122 comes with a support frame or can be suspended directly from the ceiling of the building.

## Top sanitation.

Low-wear NOVAPUR sieve stacks made of high-grade polyurethane as well as stainless steel frame inserts meet the highest sanitation standards. The wood-free design and the elimination of fastening elements such as nails and brackets in the product area guarantee a contamination-free end product. Furthermore, the frame shape with its rounded corners effectively prevents product build-up. All interior walls and doors are provided with high-quality insulation, thereby reducing the formation of condensation significantly.



Hygienic design for contamination-free end products.



Maximum sanitation thanks to NOVAPUR polyurethane sieve stacks and stainless steel frame inserts.

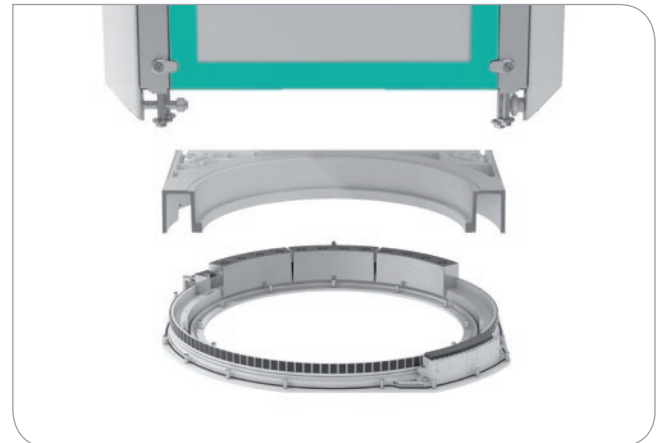
## Benefits at a glance:

- Top sanitation
- Maximum throughput, minimum space requirement
- Flexible sifting and sorting
- Easy process integration

# Innovative drive concept. **Maximum throughput, minimum floor space.**

## High throughput on a minimal footprint.

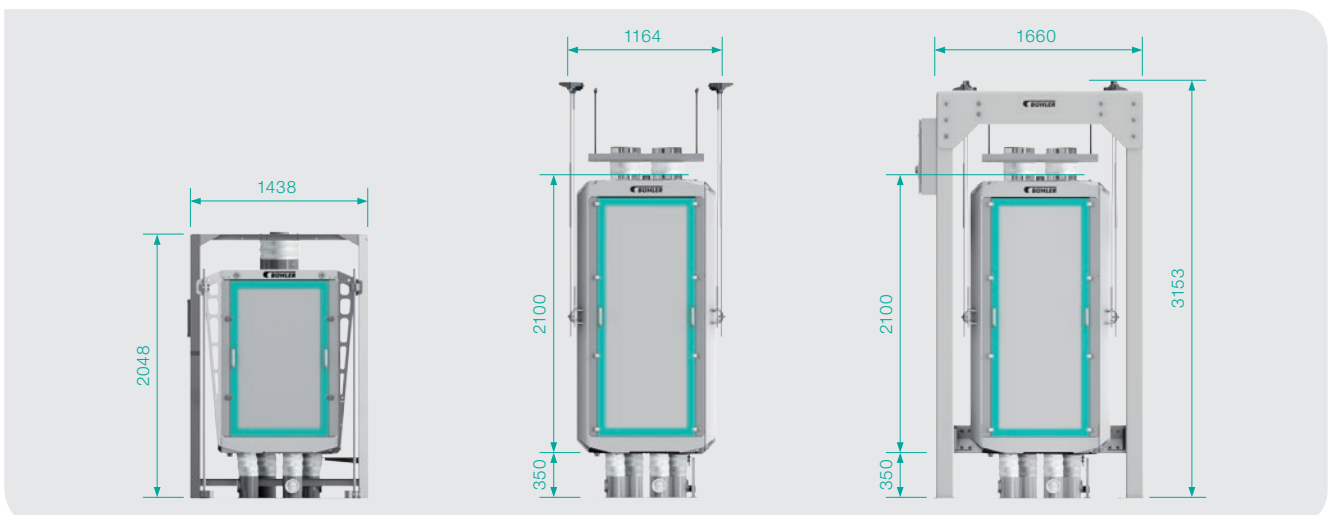
In comparison to similar plansifters Seginus provides up to 20% more throughput performance. The belt-less drive is integrated into the base of the plansifter. This allows for a very compact design, reducing the need for space by about 30%. Compared to a similar 2-stacks small plansifter, the MPAS-122 even requires up to 70% less floor space. The variable speed can be adjusted to specific products, which ensures optimized performance as well as reliable operation for a wide range of applications.



The integrated drive allows a very compact design.

## Specifications of the small plansifter MPAS at a glance:

		<b>MPAS-114</b>	<b>MPAS-122</b>	<b>MPAS-122 SF</b>
<b>Sieves</b>		Up to 14	Up to 22	Up to 22
<b>Sieve area</b>	m <sup>2</sup>	5,6	9,0	9,0
<b>Height</b>	mm	2048	2450	3153
<b>Footprint (Width x Depth)</b>	mm	1438 x 1300	1226 x 920	1640 x 1660
<b>Design version</b>		Standing on the floor	Suspended from the ceiling	With support frame
<b>Inlets</b>		1-4	1-4	1-4
<b>Outlets</b>		Up to 10	Up to 10	Up to 10



## **Bühler AG**

CH-9240 Uzwil  
Switzerland

T +41 71 955 11 11  
F +41 71 955 66 11

[buhlergroup.com/milling](http://buhlergroup.com/milling)

Flyer Small plansifter Seginus MPAS en 10/17 ZACC