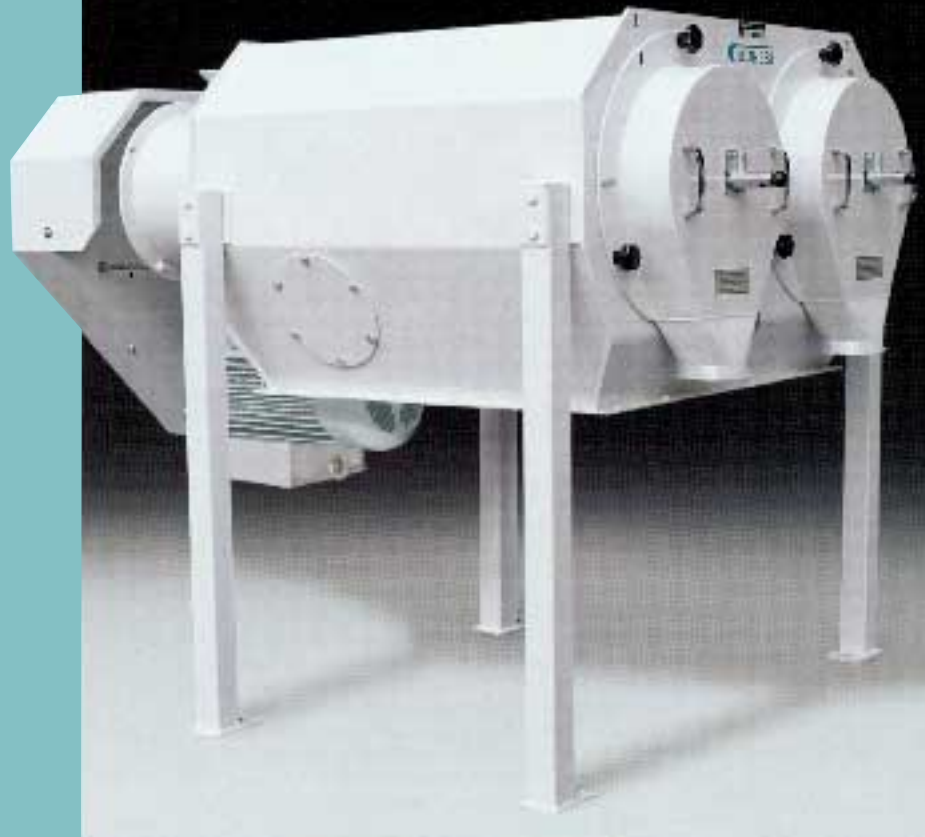


Sieving Machine *Turbostar*

MKZF



BUHLER
YOUR PERFORMANCE IN MIND

The Sieving Machine *Turbostar* MKZF, designed for high capacities, is available in the following two sizes:

- MKZF 40/90 E = 1 sieve cylinder
- MKZF 40/90 D = 2 sieve cylinders

Application

- For resifting flour ahead of bagging and bulk load-out
- Sifting of sugar for removing foreign particles or lumps
- Separation of various flour and granular bulk materials into two fractions

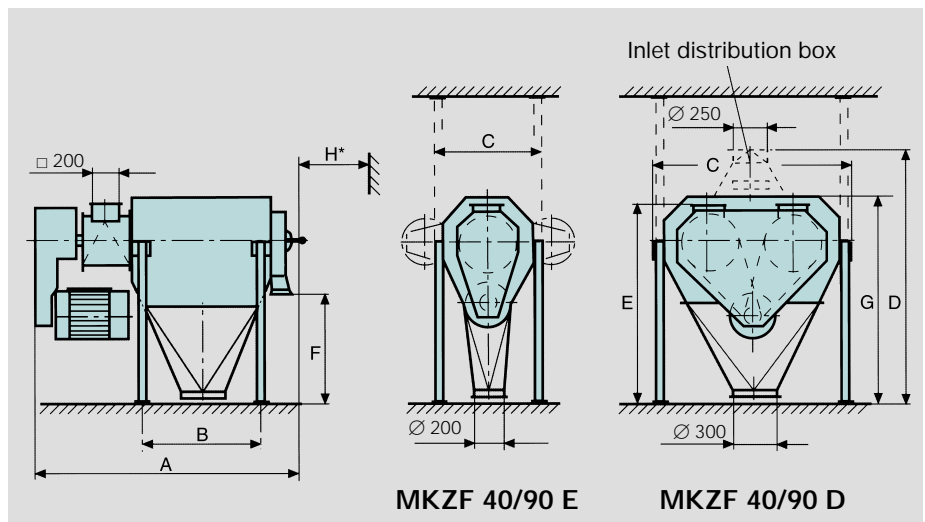
The product is fed by the intake screw to the beater rotor. Brush flights are fitted to the beater rotor to keep the inside of the cylindrical screen clean. The cylindrical screen assembly is easy to exchange. The screens, made mainly of stainless steel and provided with magnetic characteristics, are extremely wear-resistant and ensure reliable sifting.

Features

- Easy installation and removal of the cylindrical screen
- Supports made of hollow sections allow standing or suspended installation
- Low screen wear
- Machine is supplied with a completely closed V-belt drive; safety switches prevent starting of the machine while the screen is withdrawn



The cylindrical screen is easy to install and remove, with the bearing unit remaining on the rotor shaft.



MKZF 40/90 E

MKZF 40/90 D

Dimensions, technical data, weights, etc.

* space required for withdrawing the cylindrical sieve

Type	Dimensions in mm								Cylindrical screen		Motor power kW	Approx. weights in kg (without motor)			Volume sea packed m ³
	A	B	C	D	E	F	G	H*	Ø	Length		net	gross	sea packed	
MKZF 40/90 E	1586	800	730	-	1280	710	1350	1200	400	900	5.5	265	360	400	1.6
MKZF 40/90 D	1710	800	1280	1650	1280	710	1350	1200	400	900	11	460	615	780	4.3

Approximate capacities: for flour resifting, flour type 550 with up to 15.5% H₂O

Type	Screen holes				Air volume required for aspiration m ³ /min.
	Ø 3 mm	Ø 2.5 mm	Ø 1.5 mm	Ø 1.0 mm	
MKZF 40/90 E	35 t/h	30 t/h	15 t/h	10 t/h	15
MKZF 40/90 D	60 t/h	50 t/h	30 t/h	20 t/h	25

Other products and capacities with other screen holes: data upon request

Bühler AG
 CH-9240 Uzwil, Switzerland
 Phone +41 71 955 11 11
 Fax +41 71 955 66 11
 www.buhlergroup.com

BUHLER
 YOUR PERFORMANCE IN MIND