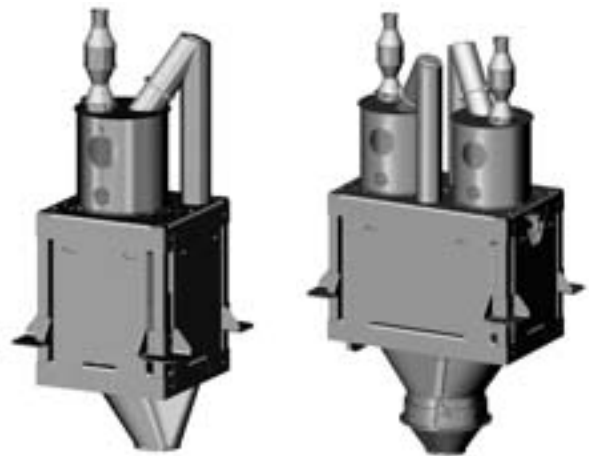


Bagging Scale

MSDB



Accurate weighing. Exact bag weights.



Bagging Scale MSDB.
Available as single or double scale.

Bagging Scale MSDB.
For the precise weighing of granular and powdered products.

Application

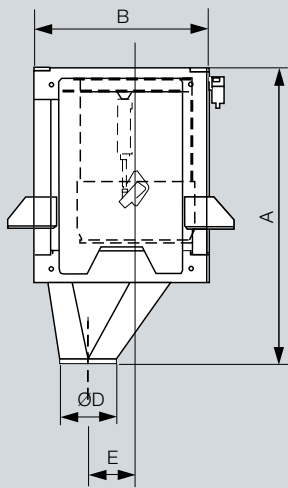
The automatic MSDB bagging scale is a dump scale designed for the precise weighing of granular and powdered products. Depending on the specific product, feed is by single screw, twin screw, belt feeder, or slide gate feeder.

Design

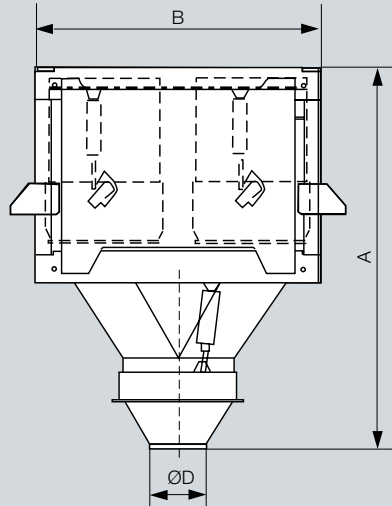
The weigh hopper is suspended in an inherently stable manner through three electronic load cells. This allows accurate determination of the actual product weight. The jacketless design of the scale combined with an optimized air recirculation flow prevent undesirable dust accumulations and ensure excellent sanitation.

- Accurate weighing
- High sanitation
- High operating reliability
- Easy operation and maintenance

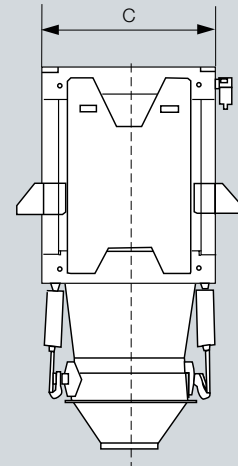
No dust accumulations.
High operating reliability.



MSDB-80, -120, -240



MSDB-80/D, -120/D



Dimensions in mm

| Model | Bagging station | Bag weight | A | B | C | ØD | E |
|------------|-----------------|--------------------------|------|------|-----|-----|-----|
| MSDB-80 | MWPL | 10 – 40 kg ¹⁾ | 1460 | 770 | 770 | 310 | 199 |
| | MWPA | | | | | 400 | 244 |
| | MWPE | | | | | 400 | 244 |
| MSDB-80/D | MWPL | 10 – 32 kg ¹⁾ | 1816 | 1150 | 770 | 310 | - |
| | MWPA | | 1753 | | | 400 | |
| MSDB-120 | MWPL | 20 – 60 kg ¹⁾ | 1614 | 950 | 950 | 310 | 258 |
| | MWPA | | | | | 400 | 303 |
| | MWPE | | | | | 400 | 303 |
| MSDB-120/D | MWPL | 20 – 60 kg ¹⁾ | 2075 | 1600 | 950 | 310 | - |
| | MWPA | | 2010 | | | 400 | |
| MSDB-240 | MWPU | 30 – 50 kg ²⁾ | 2039 | 950 | 950 | 400 | 303 |

¹⁾ For products with bulk density 0.5 kg/dm³

²⁾ For products with bulk density 0.22 kg/dm³

Bühler AG
CH-9240 Uzwil, Switzerland
T +41 71 955 11 11
F +41 71 955 66 11
www.buhlergroup.com

