



Truck unloading screen MKTA

Compact screen for loading bins

Maximum food safety

During bulk loadout operations, a low risk of contamination always remains. The Bühler truck unloading screen maximizes food safety right when the intake process starts.

High throughput capacity

The truck unloading screen is available with round-hole screens from 2 - 5 mm. Its intelligent design allows a throughput capacity of roughly 20t/h of flour even with the smallest sieve perforation.

Easy handling

Thanks to its compact design and its low weight, the screen can easily be installed by a single person. Designed for an operating pressure of up to 2 bar it can be integrated directly into the pneumatic pressure line using an Elaflex coupling.



Benefits

- Maximum food safety
- High throughput capacity
- Easy handling
- Hygienic design
- Maximum availability

Safety element with maximum availability

Easy handling and quick maintenance



Hygienic design

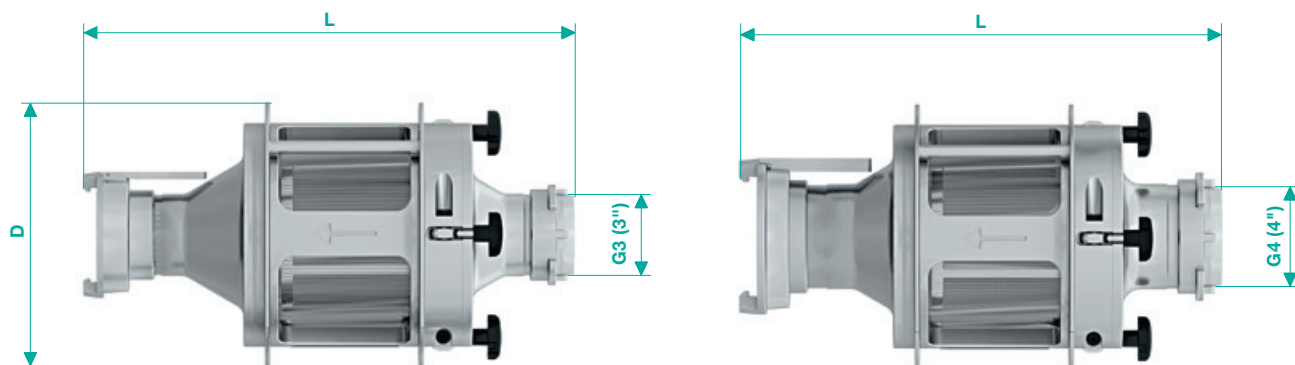
With its simple design the truck unloading screen complies with the latest hygiene guidelines. Quick-action couplings allow access for screen cleaning within a few seconds.

Maximum availability

Plug-and-play installation enables flexible use with different bins. Easy access to the screen ensures a quick changeover.

	Length (L) mm	Diameter (D) mm	Weight kg	Connection	Throughput* t/h	Max. operating pressure bar
MKTA 3"	539	290	15	3" Elaflex coupling	17	2
MKTA 4"	529	290	18	4" Elaflex coupling	24	2

*Approximate amount of flour with 3 mm sieve



Installation options

- Mobile
- Fixed (incl. wall mount, pipe bend, inductive sensor, blind lid and adaptor)

Sieves

- Perforated stainless steel with magnetic characteristics
- Perforation 2 / 3 / 4 / 5 mm

Options

- Wall / floor mount for mobile screen
- Blind lid for mobile screen

Bühler AG

CH-9240 Uzwil, Switzerland
buhlergroup.com

T +41 71 955 11 11
F +41 71 955 66 11

