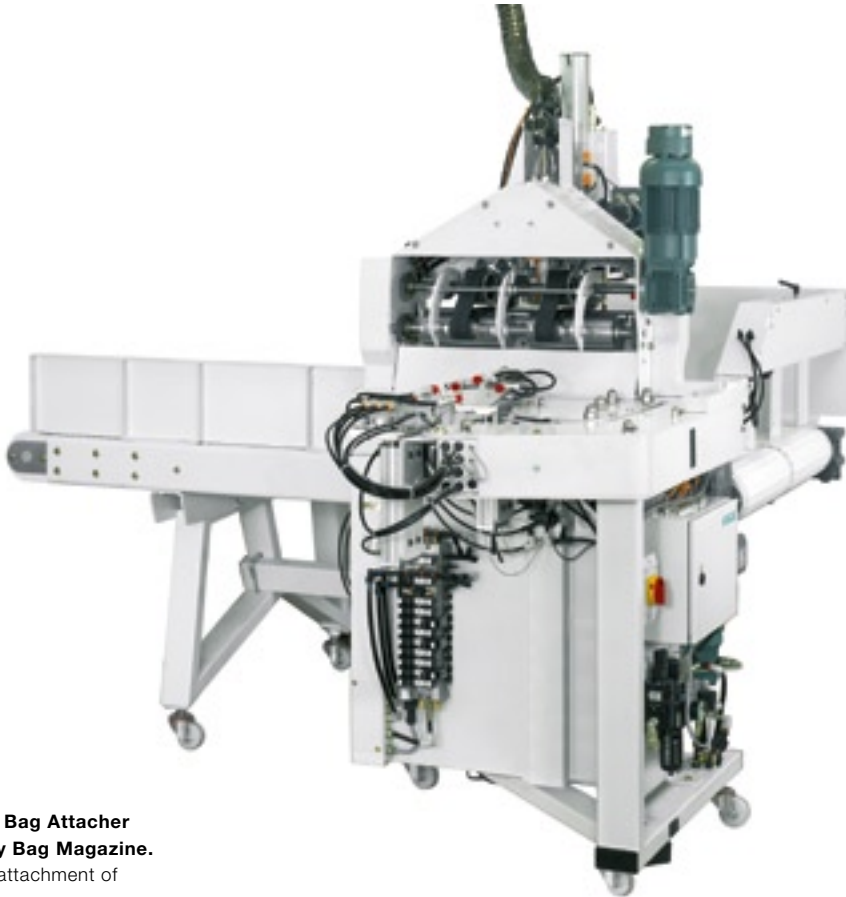


Automatic Bag Attacher / Empty Bag Magazine.

MWAD / MWAK



Constant attachment capacity. Reduction of personnel costs.



MWAD Automatic Bag Attacher with MWAK Empty Bag Magazine.

For fully automatic attachment of
open-mouth bags.

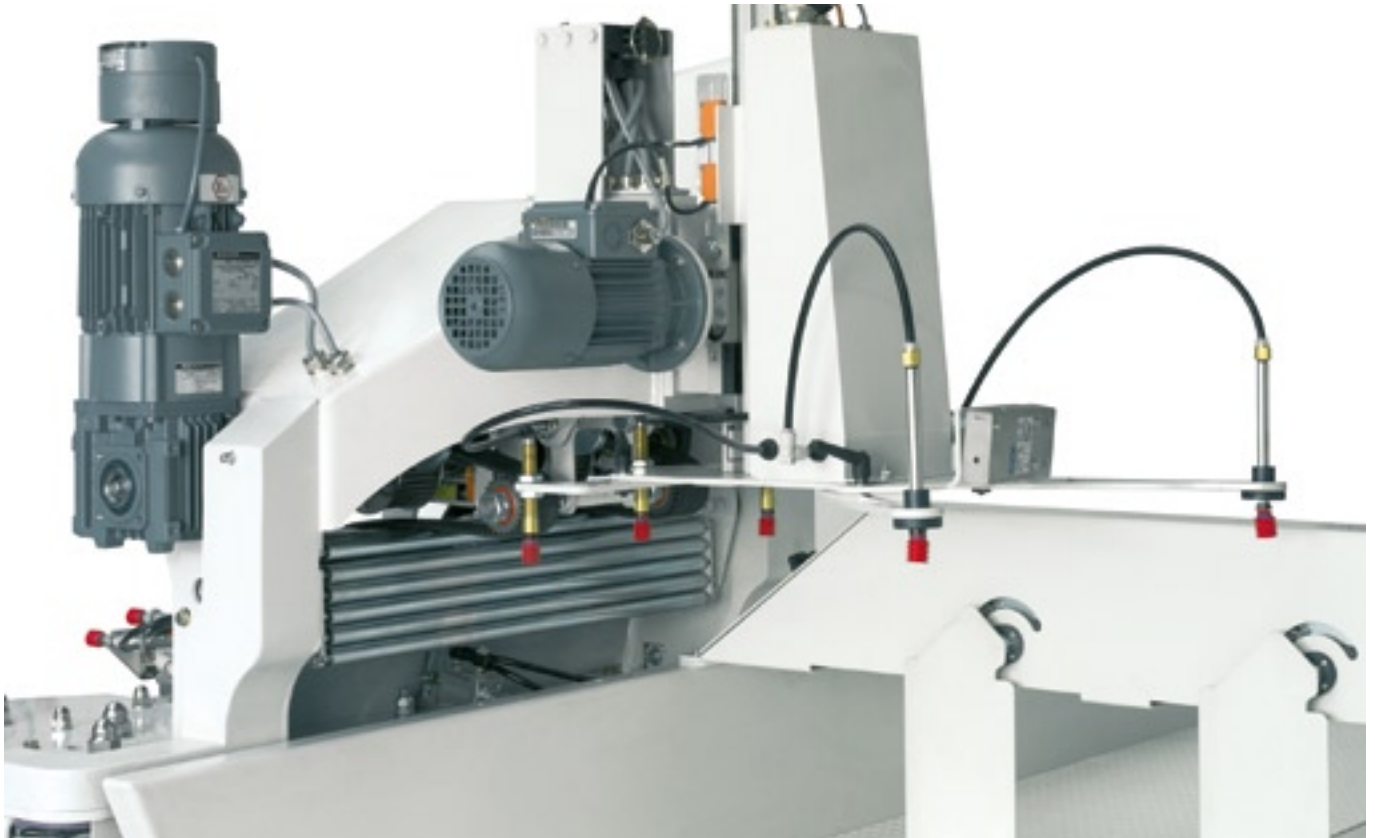
Application

The MWAD Automatic Bag Attacher has been designed for fully automatic attachment of open-mouth bags made of paper, plastic sheet, and woven polypropylene and which are suitable for automatic processing. The MWAD Automatic Bag Attacher with the MWAK Empty Bag Magazine can be applied in conjunction with bagging carousels and single-spout baggers.

Mode of operation

The MWAD Automatic Bag Attacher separates an individual bag from the MWAK Empty Bag Magazine using suction cups, which lift the bag from the stack on a frequency-controlled basis. With the bottom facing forward, the bag is positioned precisely underneath the bag spout according to the bag width regardless of the bag length and as a function of the product recipe. Suction cups spread the bag and slip it over the bag spout.

Top flexibility.
Versatile application.



MWAD Automatic Bag Attacher.
Wide range of application and high flexibility.

Features

- Easy operation with the real-life process visualization feature of the WinP@ck control system
- High operating reliability
- Fully automatic switch-over of the bag size at the push of a button on the basis of recipes
- Easy installation: Automatic Bag Attacher and Empty Bag Magazine are mounted on castors
- Wide range of application and high flexibility covering a wide variety of bag sizes and bag materials
- Cost reduction thanks to elimination of direct labor costs and increase in productivity



MWAD Automatic Bag Attacher.
Fully automatic switch-over of the bag size.

Easy operation.
Automatic bag size changes.



WinP@ck control system.
Easy operation through touchscreen terminal.



WinP@ck control system.
Informative and clear design of process displays.

WinP@ck – the unique control system

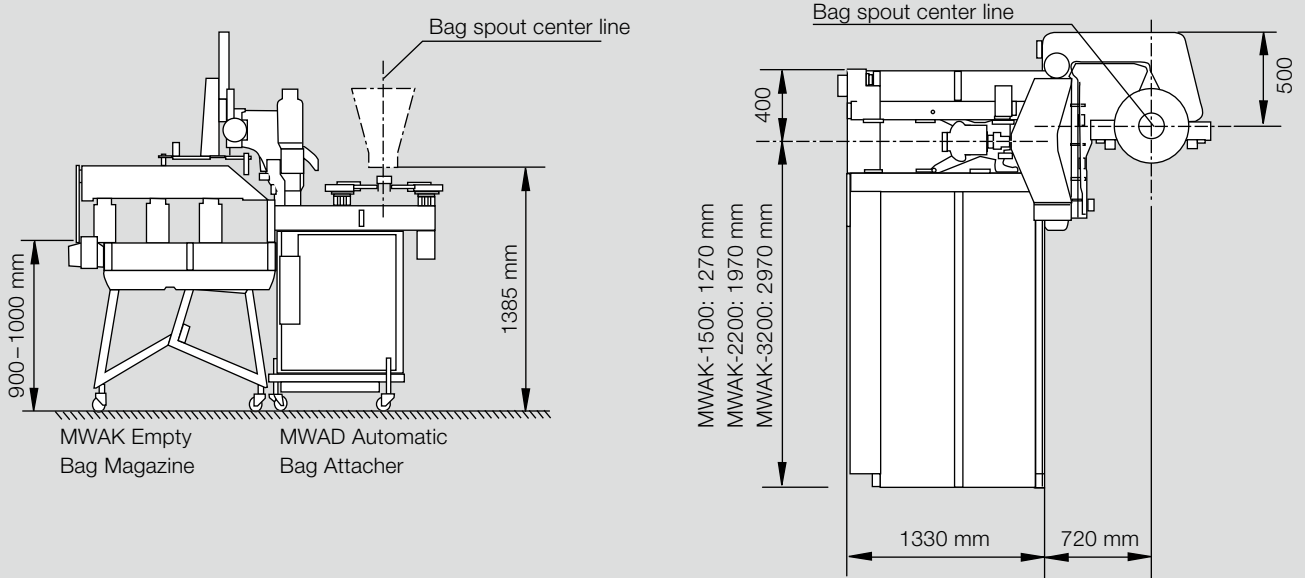
WinP@ck is suitable for controlling both the MWAD Automatic Bag Attacher and complete bagging lines. After selection of the recipe at the touchscreen terminal, the bag width and the capacity-specific speed are automatically set. WinP@ck offers a detailed overview with precise graphics and text support.

Features

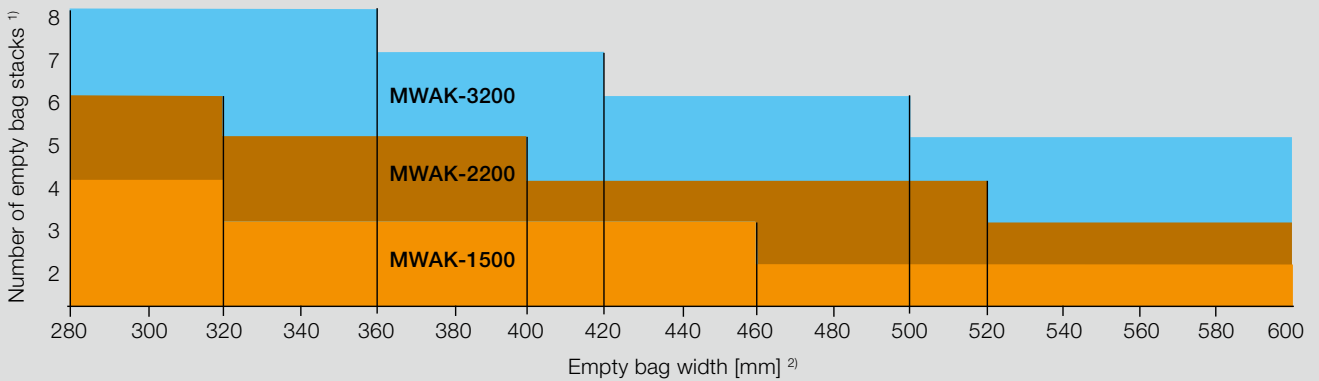
- Easy installation
- Easy maintenance
- Automatic switch-over
- Low space requirement
- Top flexibility

MWAD Automatic Bag Attacher.

Technical data.



Filling quantity of MWAK empty bag magazine



¹⁾ 50 to 100 bags per stack, stack height max. 200 mm, depending on bag type

²⁾ Depending on bag spout and bag type

Technical data

Model	Capacity* Bags/min	Air requirement NI/bag	Power requirement kW	Approx. weights in kg		
				net	gross	by sea
MWAD	up to 18	Paper bags 50	1.1	710	850	930
MWAK-1500			0.25	600	740	800
MWAK-2200		0.25	700	860	960	
MWAK-3200		0.25	800	980	1080	

* Depending on product, bagging weights, and bag grade

Bühler AG
CH-9240 Uzwil, Switzerland
T +41 71 955 11 11
F +41 71 955 28 96
www.buhlergroup.com

