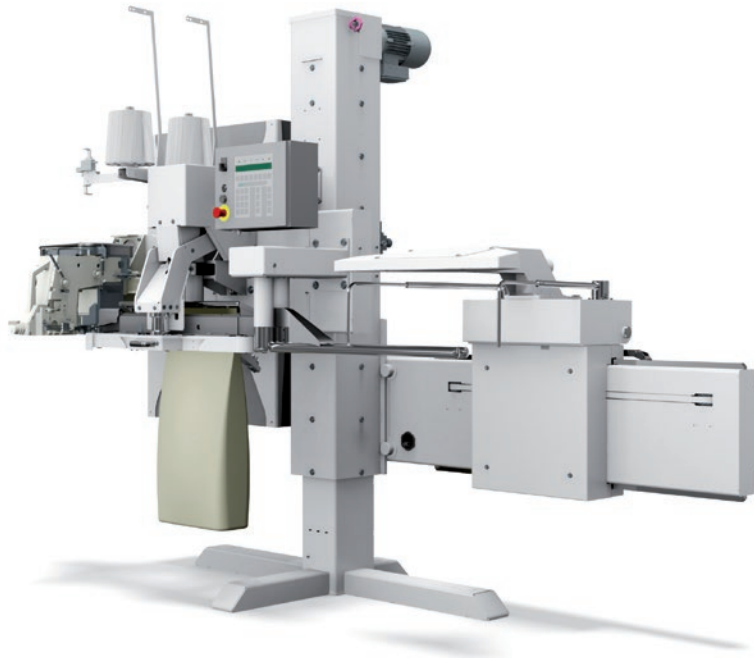


The image shows a large industrial machine, the MWTV automatic bag sealing station, in a clean, white environment. The machine is primarily white with some grey and blue components. It features a control panel on the left with a digital display and several buttons. A large spool of white thread is mounted on top. The machine is designed for automated bag sealing. The background is a bright, light blue gradient. A semi-transparent white box contains the text 'Automatic bag sealing station. MWTV.'.

Automatic bag
sealing station.
MWTV.

Powerful sealing of bags. For an efficient bagging process.



More efficient bagging process.

Reliable sealing of paper/ polypropylene bags.

The automatic bag sealing station quickly seals open bags made of paper or polypropylene reliably with a fill weight of 10-50 kg.

Variable sown closures offer maximum flexibility.

The bag sealing station can be equipped with industrial sewing machines for different closures such as a simple seam, a seam with a fold or with a tape puller system depending on the requirements.

Optimal hygiene with optional bag folder.

The optional bag folder improves hygiene for all paper or polypropylene bags sealed with seams. The top edge of the bag is turned over before sewing, increasing the seal

quality for products that even release dust. This function can be turned off if products alternate on the same line.

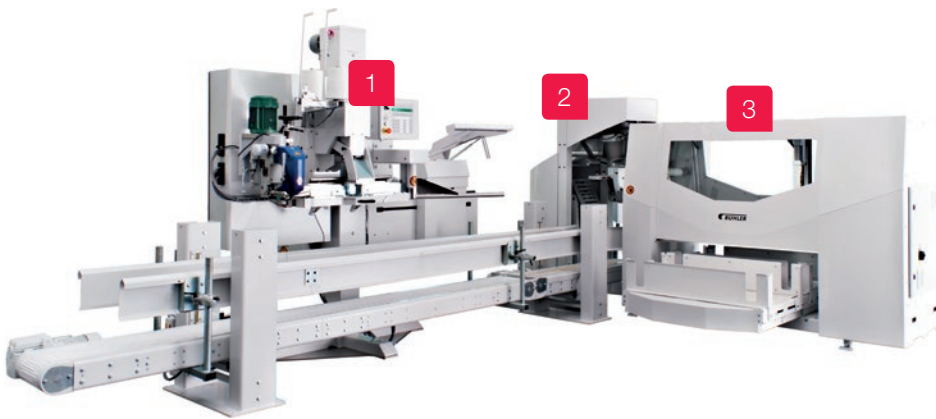
Integrated controller.

The automatic bag sealing station has a modern display on-site control system and a user-friendly interface. Operating parameters are monitored and the machine is intelligently controlled.

Advantages at a glance:

- Reliable sealing of paper/polypropylene bags
- Various sewn closures options
- Optimal hygiene with optional bag folder
- High operating reliability

Bühler bagging line. **Flexible application with maximum process reliability.**



- 1** Automatic bag sealing station MWTV
- 2** Bagging carousel MWPM or 1-fitting bagging station MWPF
- 3** Automatic bag hanger MWAP

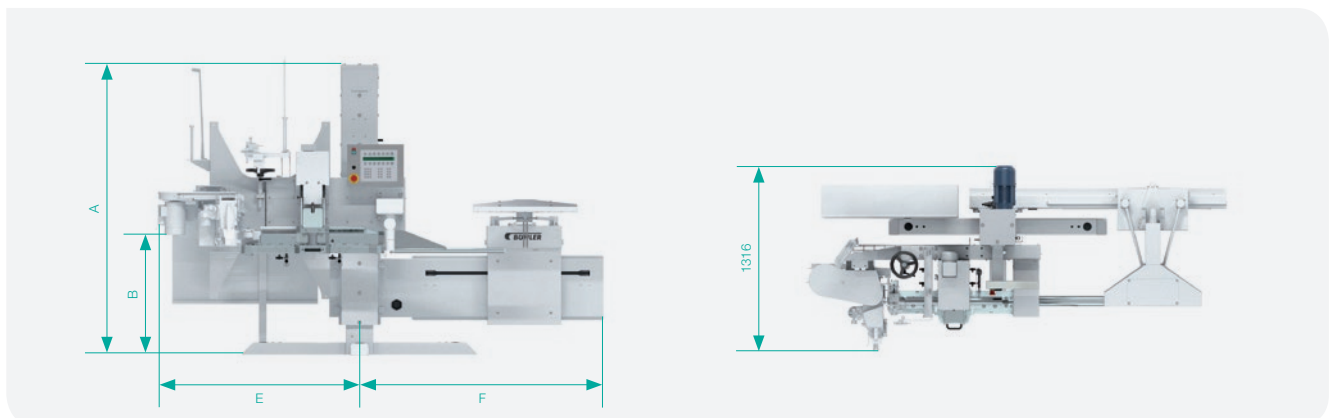
Integrated bagging processes and custom solutions: The bag sealing station is part of the integrated, modular bagging line and can be combined with the bagging carousel or the 1-fitting bagging station. The level of automation can be increased step by step.

The technical data of the automatic bag sealing station MWTV at a glance:

Model	A mm	B mm	E mm	F mm	Net weight kg
Simple seam closure	1970 – 2270	800 – 1600	min. 300	min. 1660	about 850
Seam closure with fold	1970 – 2270	800 – 1600	min. 1100	min. 1660	about 850
Sewn closure with tape puller	1970 – 2270	800 – 1600	min. 700	min. 1660	about 850

Bag width without side fold mm	Bag length mm	Bagging capacity for powdered products ¹
320 – 650	600 – 1100	with MWPF: 14 bags/min with MWPM: 14 bags/min

¹ Depending on weighting system, filling weight, product



Bühler AG

CH-9240 Uzwil
Switzerland

T + 41 71 955 11 11
F + 41 71 955 66 11

buhlergroup.com/milling

Flyer MWTV en 01/18 ZACC