

Cleaning machine for filter sleeves.

Preventive maintenance for high economy.

Grain Processing Customer Service



The flexible cleaning of filter sleeves without removing the filter sleeves from the filter basket reduces the cleaning time.

The filter sleeve cleaning machine is configured for filter sleeves with a diameter of 120 -160 mm.

Two cleaning effects are achieved with:

- mechanical, using brushes
- aspiration with air

The dust that is removed from the filter basket can be fed from under the hopper directly into a filter, thus guaranteeing dust-free cleaning using aspiration.

The efficient unit has two rotary brushes with two motors and the great advantage that the filter basket with filter sleeve only have to be rotated once.

The advantages.

Fast cleaning and therefore reduced costs:

- No dismounting of filter basket
- No washing
- Dustfree cleaning
- Less work expended

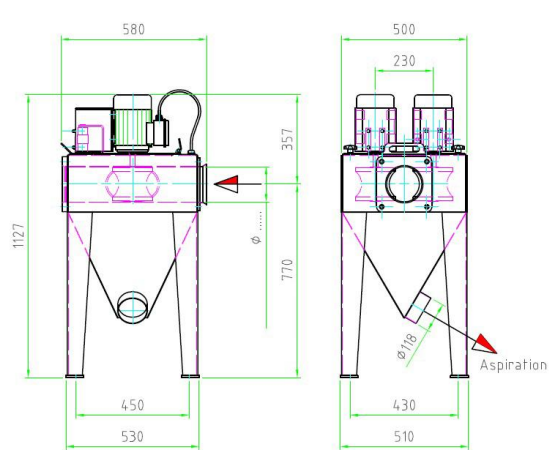
Cleaning machine for quick cleaning.

Ordering data

Article	Article No.
Cleaning machine 380 – 500 V / 50 – 60 Hz for filter sleeve with \varnothing 121 – 130 mm	CSMU-95318-810
Guide tube for various filter sleeve (if necessary)	
Guide tube for filter sleeve \varnothing 111 – 120 mm	CSMU-95320-810
Guide tube for filter sleeve \varnothing 121 – 130 mm	CSMU-95321-810
Guide tube for filter sleeve \varnothing 131 – 140 mm	CSMU-95322-810
Guide tube for filter sleeve \varnothing 141 – 150 mm	CSMU-95323-810
Guide tube for filter sleeve \varnothing 151 – 160 mm	CSMU-95324-810
Guide tube for filter sleeve \varnothing 161 – 170 mm	CSMU-95325-810
Spare brush	
Spare brush for all filter sleeve \varnothing 120 – 170 mm (1 pair = 2 pieces)	CSMU-95319-810

Technical data

Filter sleeve	\varnothing 120 – 170 mm
Power requirement	2 x 0.75 kW
Voltage	380 – 500 V / 50 – 60 Hz
Air quantity	12 m ³ / min
Weight	83 kg
Standard color	RAL 5012 (Light blue)
Height / Width / Depth	1127 / 580 / 519 mm



Filtersleevecleaner
 BUZ/GPCS42 11/2010/en

Bühler AG
 Grain Processing Customer Service
 CH-9240 Uzwil, Switzerland
 Phone +41 (0)71 955 30 40
 Fax +41 (0)71 955 33 05
 service.gp@buhlergroup.com
 www.buhlergroup.com

