

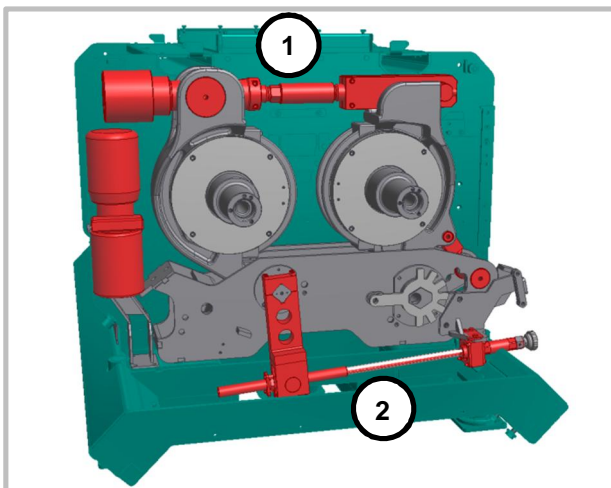
Retrofit AutoGap.

Automatic roll gap adjustment module for PolyFloc™ Flaking Mill BCFA.

Innovative retrofit for superior efficiency.

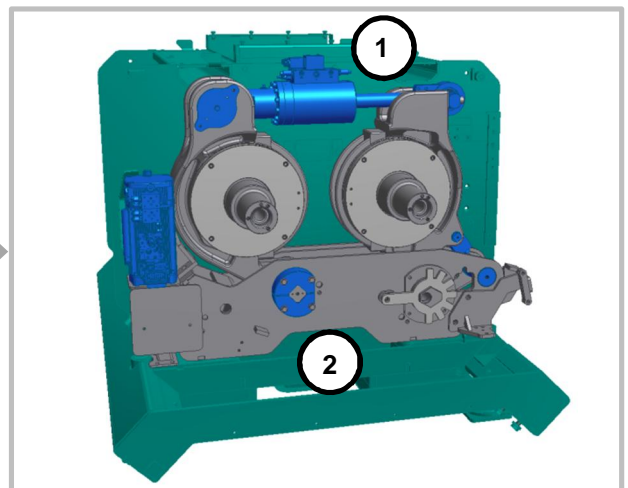
Customer Service

Before:



1. 1-way clamping cylinder
2. Gap adjustment device via spindle drive or hydraulic piston and eccentric bolt

After:



1. 2-way cylinder for two functions: engaging + gap adjustment
2. No extra gap adjustment device is needed!

Bühler's new and unique AutoGap retrofit package offers a completely automated solution for the roll gap adjustment of PolyFloc™ flaking mills (BCFA) for breakfast cereal applications and oat mills.

The system's control technology ensures that the roll gap opening and/or the clamping force on the rolls is constantly at the same level. This ensures consistent flake thickness over the course of production, even in the case of variation of throughput, product characteristics, roll speed or temperature.

Further advantages are a quicker start-up of the machine with less waste product and a much easier and rapid automatic parallel roll gap calibration function; "one-button-calibration" in less than a minute.

The use of a single double-acting cylinder per side reduces not only the number of components in the system, but also vibration levels. The result is less wear, less maintenance work and lower maintenance costs for wear parts.

By controlling and automatically re-adjusting the pressing force on the rolls, load and wear of rolls is reduced which has a positive impact on the roll life time.

Get the new AutoGap system for your existing or for a new PolyFloc™ Flaking Mill and take advantage of the never before seen level of operating usability and reliability. Your Bühler contact will be pleased to offer you more information. Do not hesitate to contact him today!

Your benefits:

- High degree of automation for the gap adjustment for more convenient and more reliable operation of PolyFloc™ flaking mills
- Consistently high flaking quality and capacity
- Less operation and maintenance work
- Lower operation and maintenance costs
- Energy and wear optimized hydraulic system
- Less vibration
- Quick start-up and less waste product
- Positive impact on roll-life time
- Very fast and easy roll gap calibration in a few seconds ("one-button-calibration")
- Usage of H1 food grade hydraulic oil

Retrofit AutoGap – *Save money & reduce time for maintenance work.*

Please send me a quotation for the new AutoGap system:

for my existing Bühler Flaking Mill PolyFloc™ BCFA:

508 608 612 (including installation)

Machine number: _____

Quantity: _____

for a new Bühler Flaking Mill PolyFloc™ BCFA including the new AutoGap System:

508 608 612

Quantity: _____

Company name: _____

Contact person: _____

Address: _____

Post code / place / country: _____

Phone / email: _____

Place / date: _____