



Mobile Particle Size  
Measurement.  
**PSM MYTA mobil.**

Whether during the various grinding processes of a flour mill or while monitoring the material being ground on a hammer mill, the exact knowledge of the particle size distribution is crucial for the optimization of the milling processes as well as the quality and consistency of the end product.

**Mobile Measurement Unit.**

The advantages of the PSM (Particle Size Measurement) MYTA mobile are its mobility and its easy operation. The system can be moved freely towards different measurement points in the plant. External power and air supply are sufficient. The control panel is an integral element of the system.



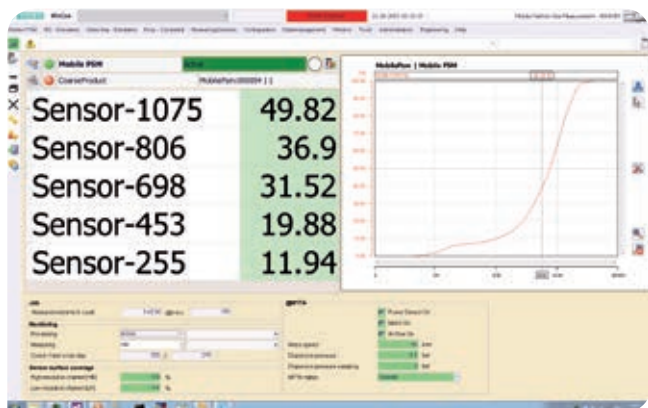
**Determination of the particle size distribution in the range of 10 – 5000 microns.**

This measurement system is suitable for continuous particle size measurement in the range of 10 – 5000 microns. PSM MYTA mobile combines laser diffraction and image processing to determine the particle size distribution of break stocks, flour, semolina and middlings of all common cereals.

**Benefits:**

- Monitoring of grinding processes and product granulation
- Measurement of the particle size distribution at different points in a short amount of time
- Optimization of the milling processes
- Measurement results are directly comparable to the traditional sieve method
- Presentation of the measurement results directly on a screen on the system

## Consistent product quality. Reproducible measurement results.

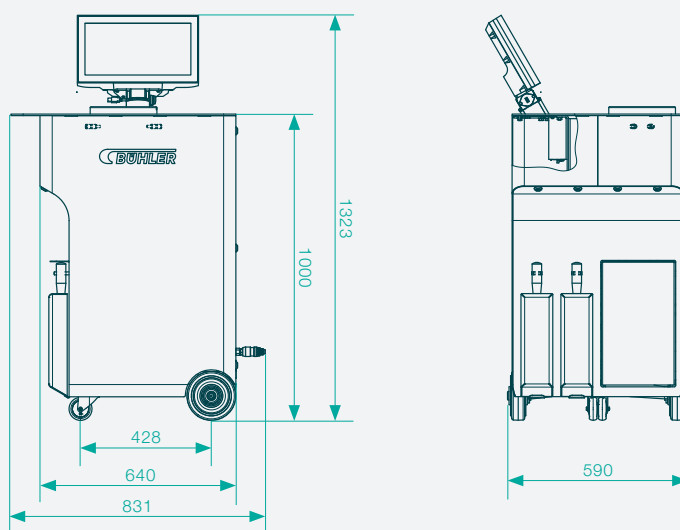


### Consistent product quality.

Measurement results are directly comparable to the traditional sieve method. 50 different standard sieves are stored in the software.

### Mobile Measurement.

The measurement unit is mounted on rolls and allows maximum flexibility. The operation is done directly on the system through an integrated control panel.



### Technical data of PSM MYTA mobil at a glance:

Modell	Measurement range um	Height / width / depth mm	Weight kg	Power consumption kw	Compressed air Nm <sup>3</sup> /h
MYTA	10 - 5000	1323 / 831 / 590	90	0,25	10 - 15

#### Bühler AG

CH-9240 Uzwil, Switzerland T +41 71 955 11 11  
buhlergroup.com F +41 71 955 66 11

