

The image shows a close-up of industrial machinery, likely a mill or grinder. A stainless steel component is visible, featuring a panel with several circular ports. A yellow and green MYTA (Micro Y-Two) online particle size measurement system is mounted on this component. The background is a blurred industrial setting with various mechanical parts and pipes. The image is overlaid with semi-transparent green and yellow circular graphics.

Online Particle Size
Measurement System
MYTA

**Consistent granulation
for an optimized pro-
duction process**

Monitoring of granulation in real time

Measuring results that can be reproduced

Application for hammer and roller mill grinding

The online particle size measurement system MYTA is suitable for the grain processing industry to measure particle size in real time. In combination with the Antares Plus roller mill deviations of the granulation are recorded and via servomotor the grinding gap is immediately adjusted to the target values.

Online determination of the granulation in the 10 – 5000 µm range

The measuring system is suitable for continuous particle size measurement in the 10 - 5000 µm range. The online particle size measurement system MYTA combines laser diffraction and image processing into one system and determines thereby the particle size distribution of the ground material in the ongoing process.

Consistent online analysis

The operating software shows deviations of the particle size distribution and provides the basis for a monitored and traceable product quality.



Advantages

End products with **consistent particle size distribution** that is **traceable at any time**

Measuring results are **directly comparable** with traditional sifting method

Minimized yield loss thanks to rapid detection of sieve ruptures

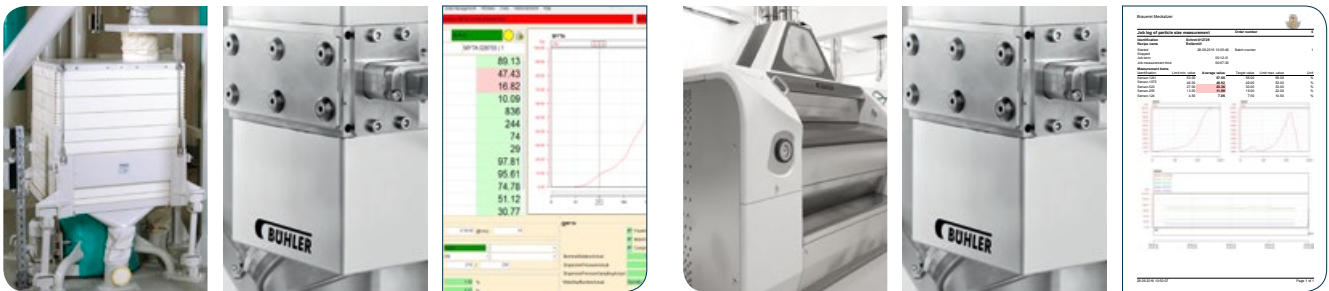
Analysis and tracing of each batch **For maximum yield**

Detection of sieve ruptures

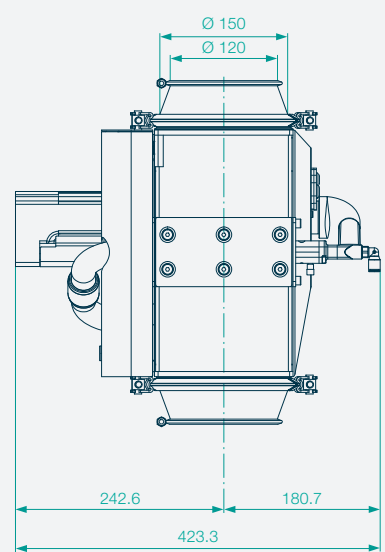
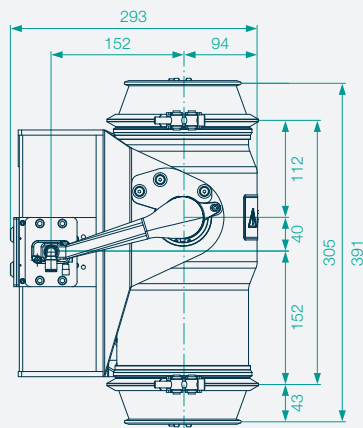
When used in grinding, the particle size measurement unit measures the particle sizes and compares the actual and target values. If the deviation is too great over a longer period, this indicates a sieve rupture. Thanks to the rapid detection, yield loss is reduced to a minimum.

Monitoring of the particle size

The MYTA online particle size measurement continuously measures the particle size distribution and compares the actual and target values. Antares Plus records deviations and immediately adjusts the grinding gap via servomotor to the target value.



		MYTA
Measurement range	µm	10–5000
Height / width / depth	mm	386 / 420 / 285
Weight	kg	14
Power consumption	kW	0,25
Pipe diameter	mm	120/150



Bühler AG

CH-9240 Uzwil
Switzerland

T +41 71 955 11 11
F +41 71 955 66 11

buhlergroup.com/brewing
brewing@buhlergroup.com

Flyer MYTA en 03/17 ZACC