



**Online Particle Size
Measurement System.**
MYTA

BUHLER

Monitoring of granulation in real time. **Measuring results that can be reproduced.**

Application for hammer and roller mill grinding.

The online particle size measurement system MYTA is suitable for measuring particle size in real time in hammer mills or grist mills at breweries and distilleries. In hammer mills, also sieve breakage can be detected via changes in the particle size with the online particle size measurement unit.

Ongoing identification of particle size.

The measuring system is suitable for continuous particle size measurement in the 10 - 5000 μm range. The online particle size measurement system brings together two different measuring systems: Laser diffraction for smaller particles and image processing for larger particles. The system identifies and analyses the particle size distribution in the ongoing process.

Consistent online analysis.

The system is convincing due to its easy cleaning and low-maintenance operation. The constant, consistent and accurate results are available in real time and can be reproduced.

Advantages.

Minimized loss of yield thanks to the rapid detection of sieve ruptures in hammer mills

Monitoring of particle size distribution in grist mills

Consistent grist quality for an **optimized production process**

Simple to clean and **low-maintenance**



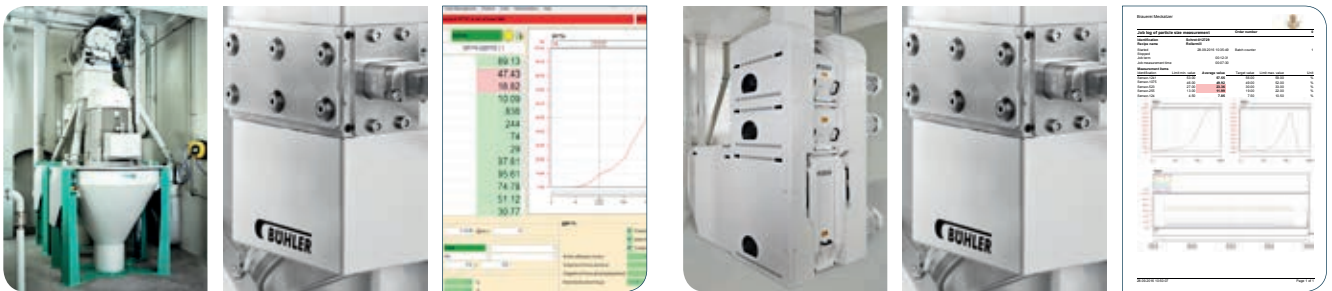
Analysis and tracing of each load. For maximum yield.

Detection of sieve ruptures.

When used after a hammer mill, the particle size measuring system measures the particle sizes and compares the actual and target values. If the deviation is too great over a longer period, this indicates a sieve rupture. Thanks to the rapid detection, yield loss is reduced to a minimum.

Monitoring of the particle size.

When deployed after 2, 4 and 6-roller mills with or without husk separation, the system measures the composition of husks, grits and flours. Where there are deviations from the target values, reports are issued and these are used to adjust the grinding gap.

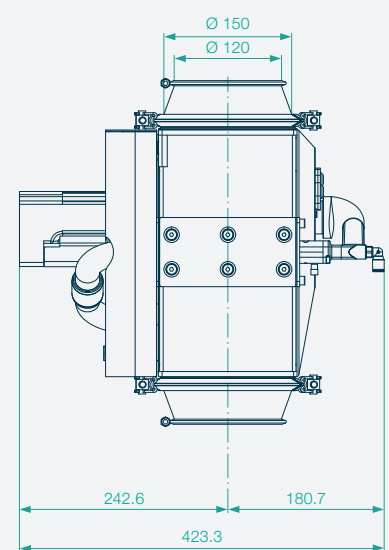
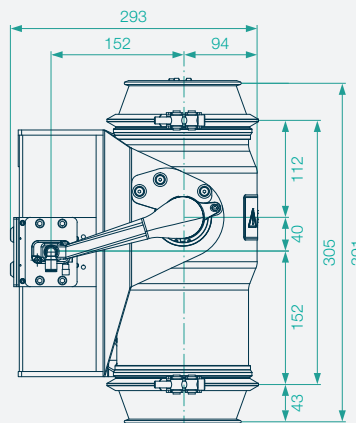


○ ——— ○ ——— ○
Hammer mill grinding Measurement of particle size Alarm for deviations sieve rupture detection

○ ——— ○ ——— ○
Grist mill grinding Measurement of particle size Alarm for deviations adjustment of the grinding gap

		MYTA
Measurement range	µm	10–5000
Height / width / depth	mm	391 / 423 / 293
Weight	kg	14
Power consumption	kW	0,25
Pipe diameter	mm	120/150

Products: Malt, sorghum, wheat, barley, rice and corn



Bühler AG

CH-9240 Uzwil
Schweiz

T +41 71 955 11 11
F +41 71 955 66 11

buhlergroup.com/brewing
brewing@buhlergroup.com

Flyer MYTA (BR) en 08/17 ZACC