

Sweep MWPR.

MWPR – for
3-, 4- and
6-spout carousels.



MWPR screw feeder – for collecting spillage flour.

Application

The MWPR sweep is applied for the automatic collection of spillage flour on Buhler bagging systems. Scattered flour produced by possible bag breakage is removed and recovered.

Operating principle

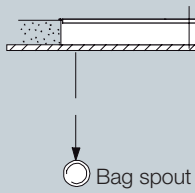
The sweep, which is installed underneath the bagging carousel, is covered by a grid through which the spillage flour drops. The sweep conveys the flour to the outlet. The unit is powered by a flanged-on gearmotor.

Features

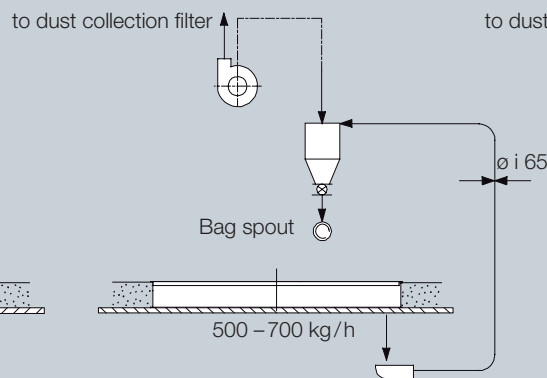
- Neat recovery of spillage flour
- Dust-free operation
- Easy and reliable operation

Automatic removal of spillage flour. High sanitation and operating reliability.

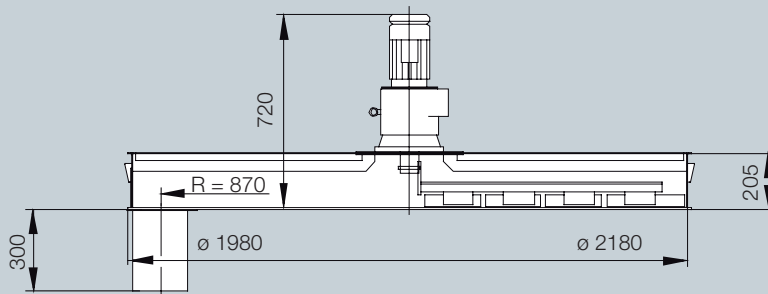
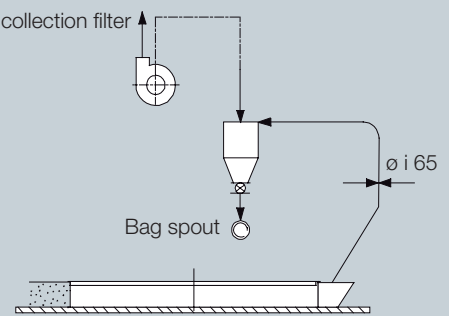
Gravity spouting connection



Pneumatic suction conveyor



Direct aspiration



Technical data

Drive power of gearmotor kW	Speed rpm	Approximate weight in kg			Volume sea pack. m ³
		net	gross	sea pack.	
0,25	750/6	325	470	545	3,2