

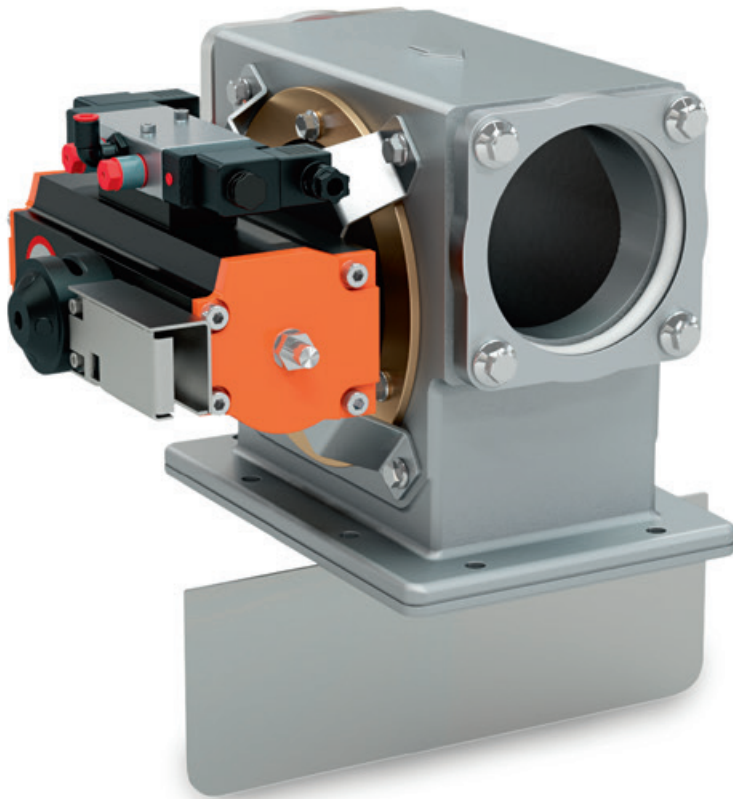
Circuit-Valve.

MAYL



Filling and Aspirating.

Two functions in one component.



Circuit-Valve MAYL: Efficient filling of weighing bins in pressure and vacuum conveying lines.

Bühler's circuit-valve MAYL enables an efficient filling of successively arranged weighing bins in a closed circuit. The product is discharged into a bin while the airflow continues. Once the desired filling weight is reached, the product is conveyed to the next weighing bin or back to the original silo.

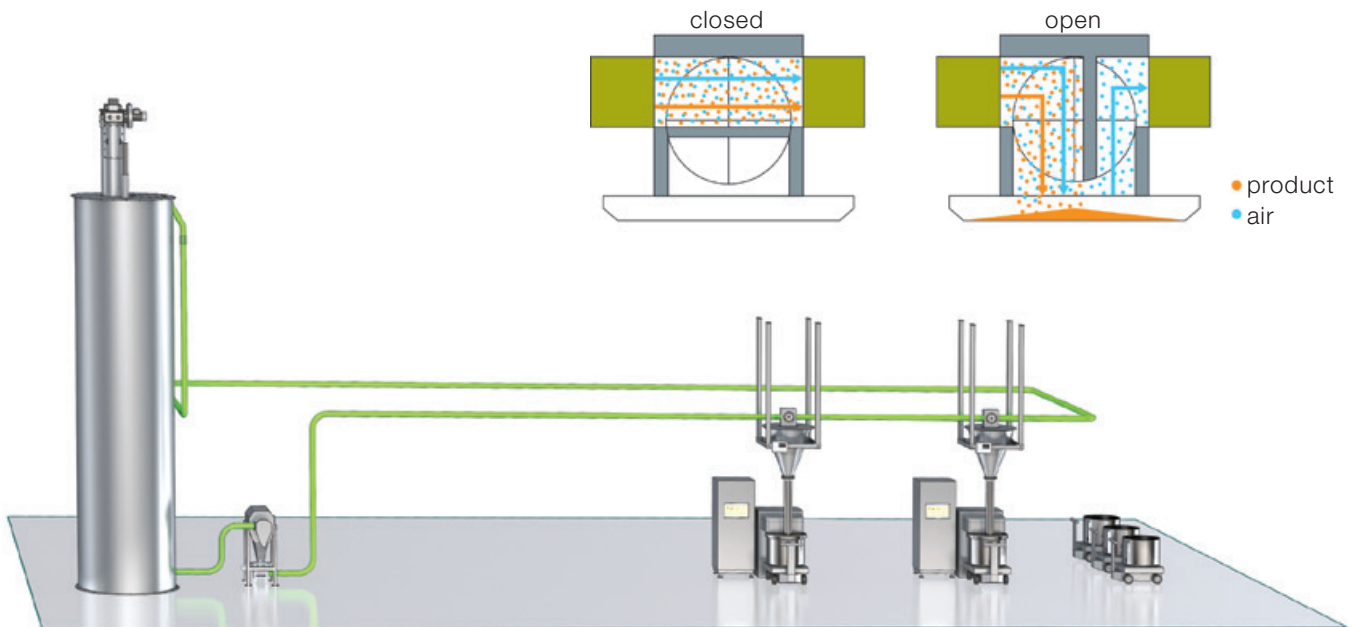
The sophisticated design allows an application in pressure and vacuum conveying lines. Due to the absence of an active bin aspiration, this solution is highly cost-effective. The ability to switch the valve during conveying guarantees an accurate scaling. For an increased separation efficiency a partition is optionally available.

Your benefits

- Suitable for pressure and vacuum operation
- Efficient and economic process
- Compact design
- Reliable operation

Flexible application. Suitable for pressure and vacuum operation.

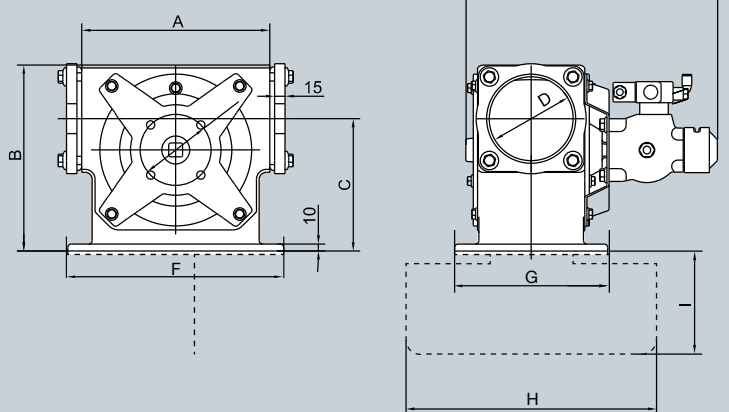
Application



Loading of decentral weighing bins, collection in departure silo.

Technical Data

MAYL	DN 100	DN 120	DN 140
A (mm)	240	270	320
B (mm)	239	269	317
C (mm)	169	190	225
D (mm)	102.2	120.6	144.4
E (mm)	321	369	401
F (mm)	280	310	360
G (mm)	200	220	250
H (mm)	310	360	410
I (mm)	113	143	173
Operating pressure	-0.5 bar / + 1 bar		
ATEX approval	Zone 22		



Version	Housing	Rotary valve
MAYL-GG	Grey iron	Nodular cast iron
MAYL-NI	Grey iron nickel-plated	Nodular cast iron nickel-plated

Bühler AG
CH-9240 Uzwil, Switzerland
T +41 71 955 11 11
F +41 71 955 66 11
www.buhlergroup.com

