

Differential
Bagging Scale.
MWBC.

BÜHLER

For high bagging capacities. **High accuracy of bagging weight.**



Transflowtron differential bagging scale – for accurate control and measurement.

Wide variety of applications.

The MWBC differential bagging scale has been designed to handle non-freeflowing products across a wide throughput-capacity range. It allows weighing and proportioning of finished products with a fat content up to 28%. Depending on the required throughput capacity of the MWBC differential bagging scale, different fast and dribble feed systems will be applied.

Design.

The weigh hopper is suspended in an inherently stable way from three load cells. A discharge screw attached to the weigh hopper feeds the product quantity required for obtaining the desired bagging weight by means of a frequency-controlled motor.

Features:

- Continuous material feed
- Excellent sanitation
- Minimum maintenance
- Small bag spouts for wide range of bag sizes
- For products with up to 28 % fat content

Continuous material feed. **For non-freeflowing products.**

Operating principle.

Variante 1: For low bagging capacities (up to 6 bags/min.), the scale operates with fast and dribble feed.

The dribble feed scale completes the specified bagging weight.

Variante 2: For medium bagging capacities (6 to 12 bags/min.). The fast and dribble feed streams are directed to two separate scales. The weight values measured by the fast feed scale are transmitted to the dribble feed scale.

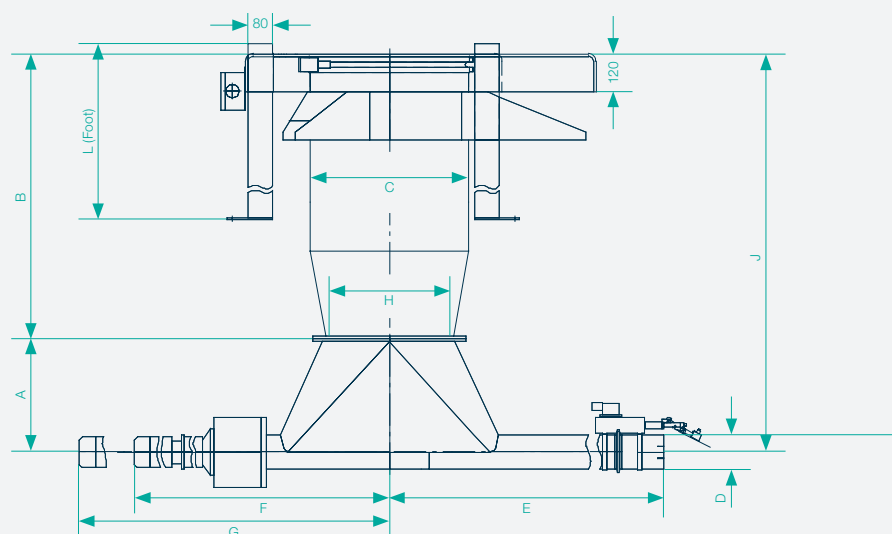
Variante 3: For high bagging capacities in the range of 13 – 18 bags/min. (depending on the bag size), two fast feed scales and one dribble feed scale are used.

Final filling of the weigh hoppers is controlled by the associated bagging control system.

The technical data of the Differential Bagging Scale MWBC at a glance:

Model	Dimensions									
	mm									
	A	B	C	D	E	F	G	H	J	L* (Foot)
MWBC-100/100	375	897	500	110	990	1135	2585	310	1272	1820
MWBC-170/100	375	1332	500	110	990	1135	2585	310	1707	2020
MWBC-120/160	380	892	500	170	1157	1149	2749	410	1272	1820
MWBC-120/200	490	782	500	212	1193	1116	2716	455	1272	1820
MWBC-280/250	450	1187	600	250	1153	1003	2650	455	1637	2020

* Steel profiles for suspension of the differential bagging scale.



Bühler AG

CH-9240 Uzwil
Switzerland

T + 41 71 955 11 11
F + 41 71 955 66 11

buhlergroup.com/milling

Flyer Differential Bagging Scale MWBC en 01/18 ZACC