

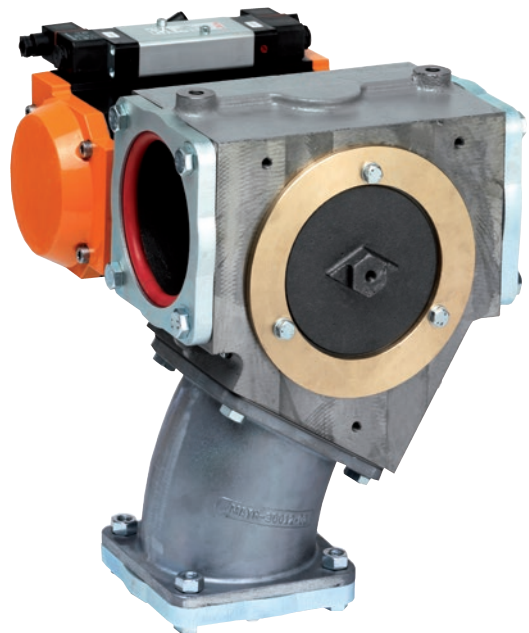
Plug Diverter. **MAYK.**

The durable and reliable plug diverter.

The MAYK plug diverter has been designed as a branching component in pneumatic pressure and suction conveying systems. The broad range of plug diverter designs allow for handling/conveying of powdered and granular materials in the food and feed industries.

Features.:

- Compact design
- Minimum maintenance
- Excellent sanitation
- Outstanding tolerances

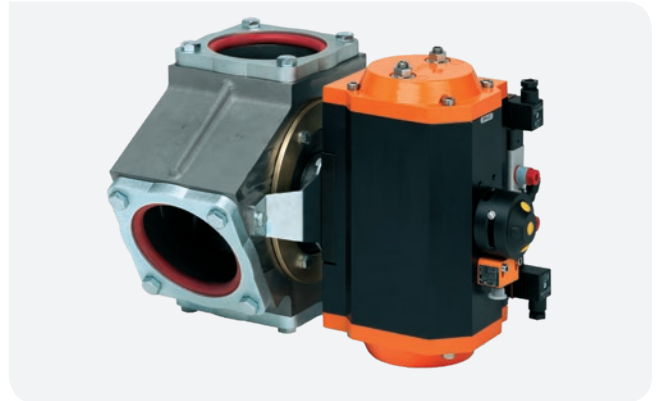


MAYK plug diverter with 30° adapter.

Flexible application. For pressure and suction conveyors.

Characteristics.

- Matches ISO-pipes
- Adjustable end positions
- 60° diversion (90° diversion with adapter)



Technical data of MAYK:

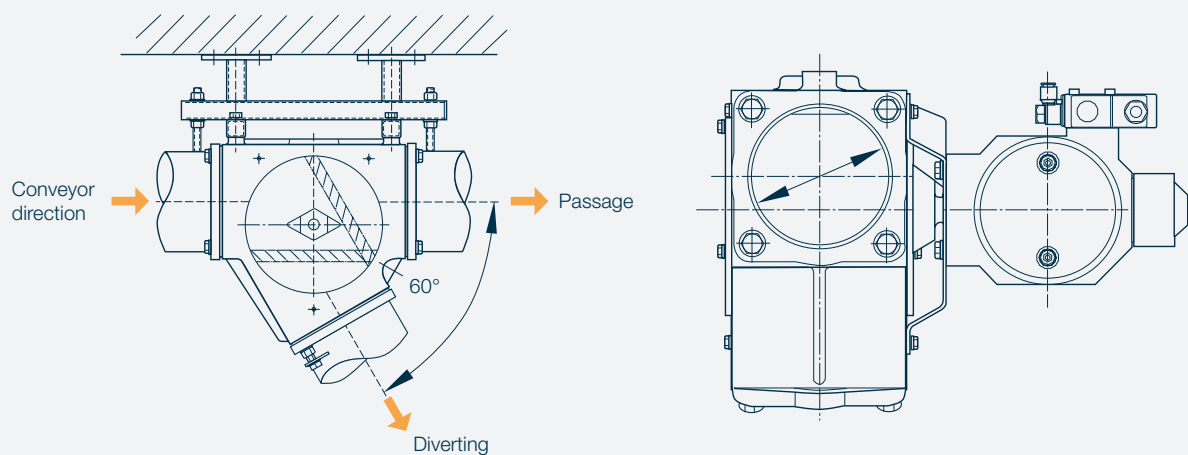
Nominal size	50	65	80	100	120	140	170	200	250
Ø D									
Gray cast iron									
N, ZZ, S, SG	49,4	64,8	83,1	102,2	120,6	144,4	168,8	210,1	263
Nickel									
N, ZZ	49,4	64,8	83,1	102,2	120,6	144,4	168,8	210,1	263
Stainless Steel									
N, ZZ, S, SG	50	65	80	100	120	140	170	200	-

N: Standard design version, e.g. for flour

S: Sanitation design version with additional seal, e.g. for very fine flour

ZZ: Reinforced drive version, e.g. for sugar

SG: Sanitation design version with reduced gap dimension, e.g. for very fine flour



Bühler AG

CH-9240 Uzwil, Switzerland T +41 71 955 11 11
 buhlergroup.com F +41 71 955 66 11

