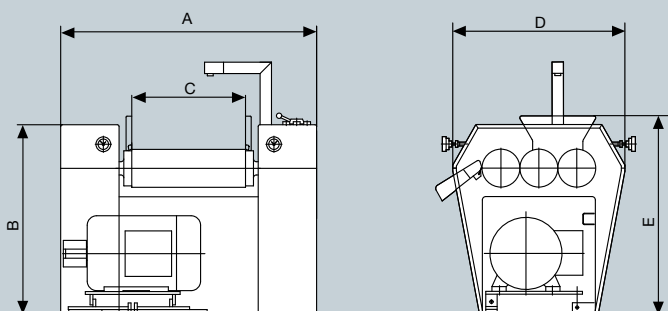


Technical Data Trinomic™.

Specification Trinomic™ 600

S = standard features
O = optional features

Centrifugally cast rolls	S
Open flow cooling system	S
Safety bar with interlock	S
Mechanical gap adjustment	S
Ex proof	O
Automatic product feed control with dry running protection	O
Safety cover	O
Control system COMFORT-3S	S
Two-hand stepping mode	O



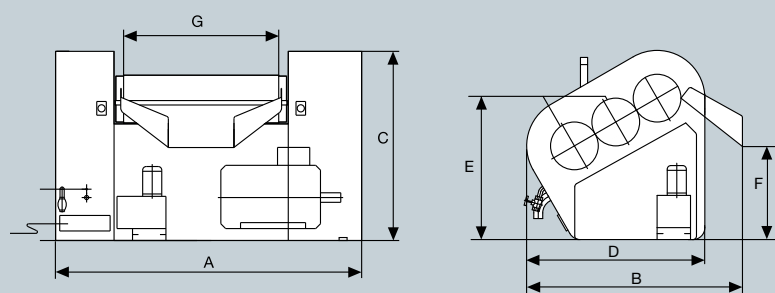
Dimensions, weights, etc.

Trinomic™	Dimensions mm					Rolls		Installed power	Approx. weights in kg incl. Motor			Volume of seaworthy packing in m³
	A	B	C	D	E	Ø	L	kW	net	gross	by sea	
600	1355	1000	600	910	1070	200	600	18.5	1120	1350	1430	2.1

Specification Trinomic™ 1300

S = standard features
O = optional features

Centrifugally cast rolls	S
Open flow cooling system	S
Safety bar with interlock	S
Mechanical gap adjustment	O
Ex proof	O
Automatic product feed control with dry running protection	O
Safety cover	O
Control system COMFORT-3S	S
Two-hand stepping mode	O



Dimensions, weights, etc.

Trinomic™	Dimensions mm						Rolls		Motor	Approx. weights kg		Volume of seaworthy packing m³
	A	B	C	D	E	F	Ø	G	kW	net	by sea	
1300	2560	1685-1740 *	1585	1495	1200	780-795 *	400	1300	55	4550	5300	12.0

* depending on position of scraper

All data are approximate. Technical alterations reserved.

Bühler AG
CH-9240 Uzwil, Switzerland
T +41 71 955 11 11
F +41 71 955 31 49
grinding.dispersion@buhlergroup.com
www.buhlergroup.com

Bühler, Inc.
40 Whitney Rd.
Mahwah, NJ, 07430, USA
T +1 201 847 0600
F +1 201 847 0606
gdnorthamerica@buhlergroup.com

