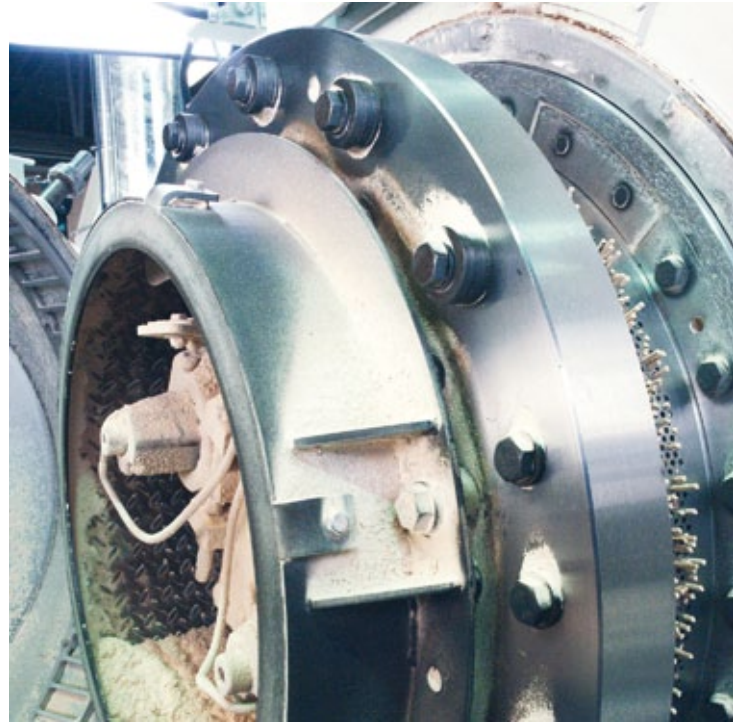


Pellet Mill

RWPR 900



Biomass pelleting solutions.

High throughput rates.



- Long life cycles of wear parts and pellet mill
- Above-average throughput
- Solid design

Pellet mill RWPR 900.

Solid design with a long service life.

The RWPR has been specifically designed to satisfy biomass pelleting requirements. Thanks to its massive construction, it is ideally suited to the production of wood pellets. The rollers, dies, and other important wear parts are capable of withstanding the high pressures and must only be replaced after several thousand service hours. All the machine components in contact with the raw material are made of stainless and non-rusting materials. The pellet mill is additionally characterized by its safety elements.

Perfect interaction

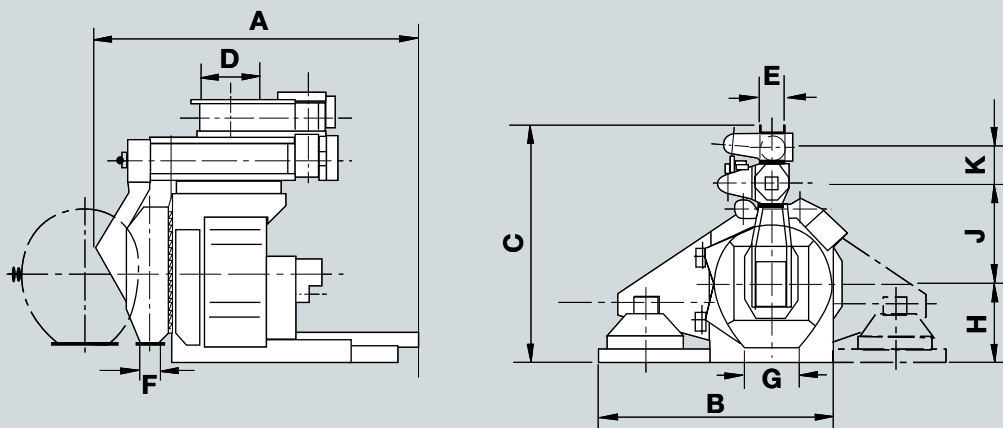
The RWPR pellet mill achieves above-average throughputs in conjunction with the DFCC pellet mill controller – and this with a relatively low power requirement and therefore low energy costs. In addition, the pellet mill is carefully matched to the other equipment and process operations from the Buhler range, ensuring low-cost and efficient pellet production.

Reinforced heavy duty pellet mill.

Technical data and dimensions.

Technical data

Die	Inside diameter	mm	900
	Useful die width	mm	108/138
	Useful die area	dm ²	30/39
Press rolls	Quantity		2
	Diameter	mm	420
	Eccentric shaft throw	mm	27
Main motor		kW	250 or 315
	Rotational speed 50 Hz	rpm	1000
Auxiliary drive		kW	2,2
Mixer motor		kW	7,5
	Rotational speed 50 Hz	rpm	1500
Screw feeder motor		kW	3
	Rotational speed	rpm	continuously variable
Feeder/steam-conditioner			type DPSA
V-belt sheave pellet mill drive		Ø mm	1600



Model	Dimensions in mm										Approx. weights in kg			Volume of sea-packing m ³
	A	B	C	D	E	F	G	H	J	K	net	gross	sea-worthy	
RWPR	3560	2850	2840	700	320	240	600	950	1200	431	11000	11800	12200	14

Bühler AG
CH-9240 Uzwil, Switzerland
T +41 71 955 11 11
F +41 71 955 28 96
www.buhlergroup.com

