

Pneumatic Discharger MFPF.

MFPF – for bulk materials such as flour, middlings, and semolina.



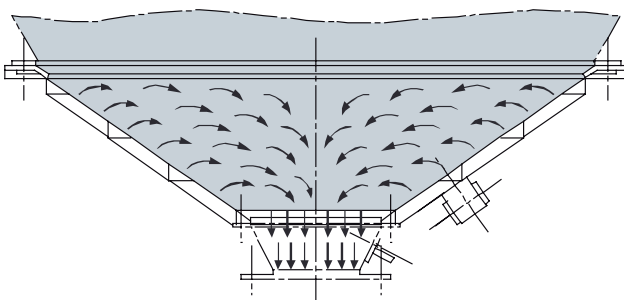
MFPF pneumatic discharger – High capacity for loading of bulk trucks.

Application

For the pneumatic discharge of bulk material such as flour, middlings and semolina

Operating principle

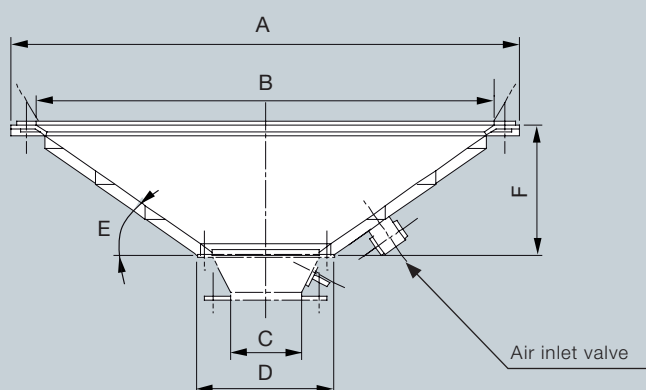
Air blows through the connection into the discharger. The air enters through the porous aeration cone and fluidizes the product. When the shut-off element is opened, the product is discharged.



Features

- Fluidizing of the product by porous aeration plates acted upon by compressed air
- Very high discharge rate
- Complete discharge: perfect sanitation
- Easy to service thanks to modular design: easy exchange of the porous aeration cone

High capacity for tanker loading. Complete discharge of bins.



Technical data, dimensions (mm), weights

Model	ø A	ø B	ø C	ø D	E	F	Approx. weights in kg			Volume sea pack. in m ³
							net	gross	sea pack.	
MFPP-94	1100	950	196	382	35°	261	56*	104*	128*	0.88*
			246				+56**	+72**	+80**	
MFPP-126	1415	1270	196	382	35°	371	88*	162*	197*	1.64*
			246				+88**	+106**	+115**	
			295							

* for a single unit

** addition for each additional unit