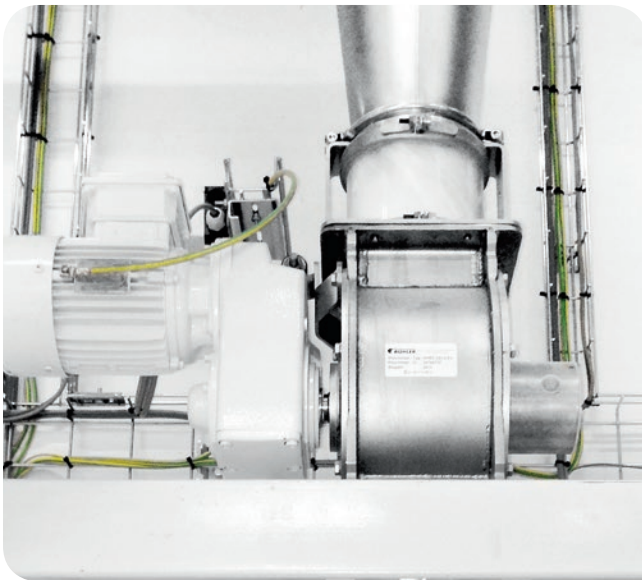


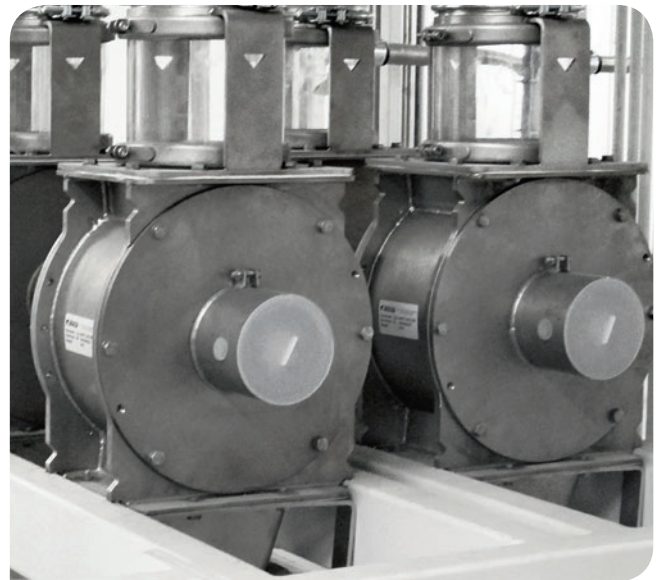
Stainless steel
airlocks
MPSS / MPST

Bühler discharge and blow-through airlocks. **Dependable and efficient.**

The blow-through airlock MPSS ensures a direct product feed into pneumatic conveying lines, while the discharge airlock MPST is used for discharging bulk material following filters, cyclones and bins. Both airlocks not only meet the highest sanitation standards, but also feature a very sturdy design and a high operational reliability.



Pneumatic mill stock conveying system: airlock table with cyclone and discharge airlock MPST.



High operational reliability.

The sturdy design and the high-precision manufacture of the airlocks increase their operational reliability and reduce the cost of operation. In the ExP version the airlocks are designed to be explosion pressure shock resistant and flameproof.

Excellent sanitation.

All discharge and blow-through airlocks are manufactured entirely in stainless steel. Due to the compact design, the rotor pockets can be discharged completely. In addition, a purged seal as well as a hygienic rotor with rounded rotor pockets guarantee maximum sanitation.

Dependable and efficient.

All airlocks are manufactured with high precision and ensure a reliable operation with minimum air leakage. Due to very little wear, the maintenance costs can be reduced while the durability of the airlocks can be increased.

Benefits:

- High operational reliability
- Dependable and efficient
- Excellent sanitation
- Modular assembly
- Easily replaceable

Modular set-up. Designed for maximum flexibility.



Product feed into the pneumatic conveying line: a blow-through airlock MPSS is used as feeding element below the discharge station MKSB.







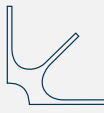

Modular design.

Thanks to a modular concept, the airlock can be used for a variety of different products. Various connection pipes allow a direct transition to the diameter of the pneumatic line.

Easily replaceable.

Identical dimensions to existing Bühler airlocks ensure a simple replacement.

Rotor selection for airlocks MPSS and MPST:

					
Standard rotor	Bevel-tipped rotor	Beveled rotor with brace	Razor-sharp beveled rotor	Hygienic rotor with rounded pockets	Shallow pocket rotor

Discharge airlock MPST.

Technical data.

		MPST 25/15	MPST 25/23	MPST 28/30
Rotor volume				
Standard	dm ³	5,8	9,0	15,2
Shallow pockets	dm ³	2,3	3,6	6,1
Weight (incl. drive)	kg	55	65	115
Volume (incl. drive)	m ³	0,14	0,16	0,20
Pressure range		16.5	33.0	49.5
Operating pressure	bar	0,6	0,6	0,6
Maximum pressure	bar	0,8	0,8	0,8
Dimensions	mm			
A		320	320	400
B		160	160	200
C		422	464	633
D		220	300	370
E		120	200	270
F		240	240	320
G		150	150	220
H		100	150	200
J		175	270	335
K		100	150	200
L		205	210	285
M		M8	11,5	13,5
S		5	5	6

Configuration:

Standard

ATEX

ExP

No ATEX zone

Zone 22 (external)

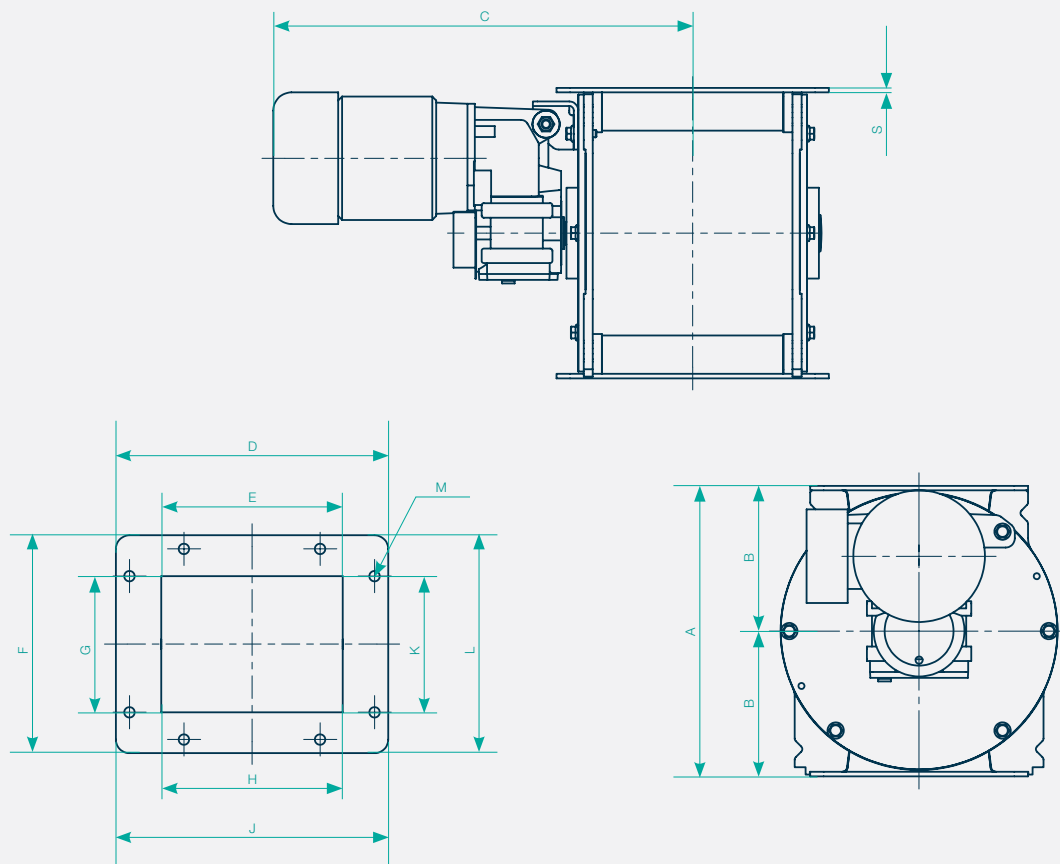
Explosion pressure shock resistant until 3,5 bar
EC type examination for ATEX zone 20/dust class 1

Options:

Frequency converter

Hub rinsing

Discharge airlock MPST. Dimensional drawing.



Blow-through airlock MPSS.

Technical data.

		MPSS 25/15	MPSS 25/23	MPSS 28/30
Rotor volume				
Standard	dm ³	5,8	9,0	15,2
Shallow pockets	dm ³	2,3	3,6	6,1
Approx. weight (incl. drive)	kg	55	65	115
Volume (incl. drive)	m ³	0,18	0,20	0,25
Pressure range				
Operating pressure	bar	0,6	0,6	0,6
Maximum pressure	bar	0,8	0,8	0,8
Dimensions				
A	mm	384	464	540
B		544	624	700
C		337	337	423
D		56,3 / 60,3 72,1 / 76,1 84,9 / 88,9	56,3 / 60,3 72,1 / 76,1 84,9 / 88,9	84,9 / 88,9 110,3 / 114,3
E		124 116 110	124 116 110	155 142
F		160	160	200
G		422	464	633
H		272	312	350
J		220	300	370
K		120	200	270
L		240	240	320
M		150	150	220
N		100	150	200
O		175	270	335
P		100	150	200
Q		205	210	285
R		M8	11,5	13,5
S		5	5	6

Configuration:

Standard

ATEX

ExP

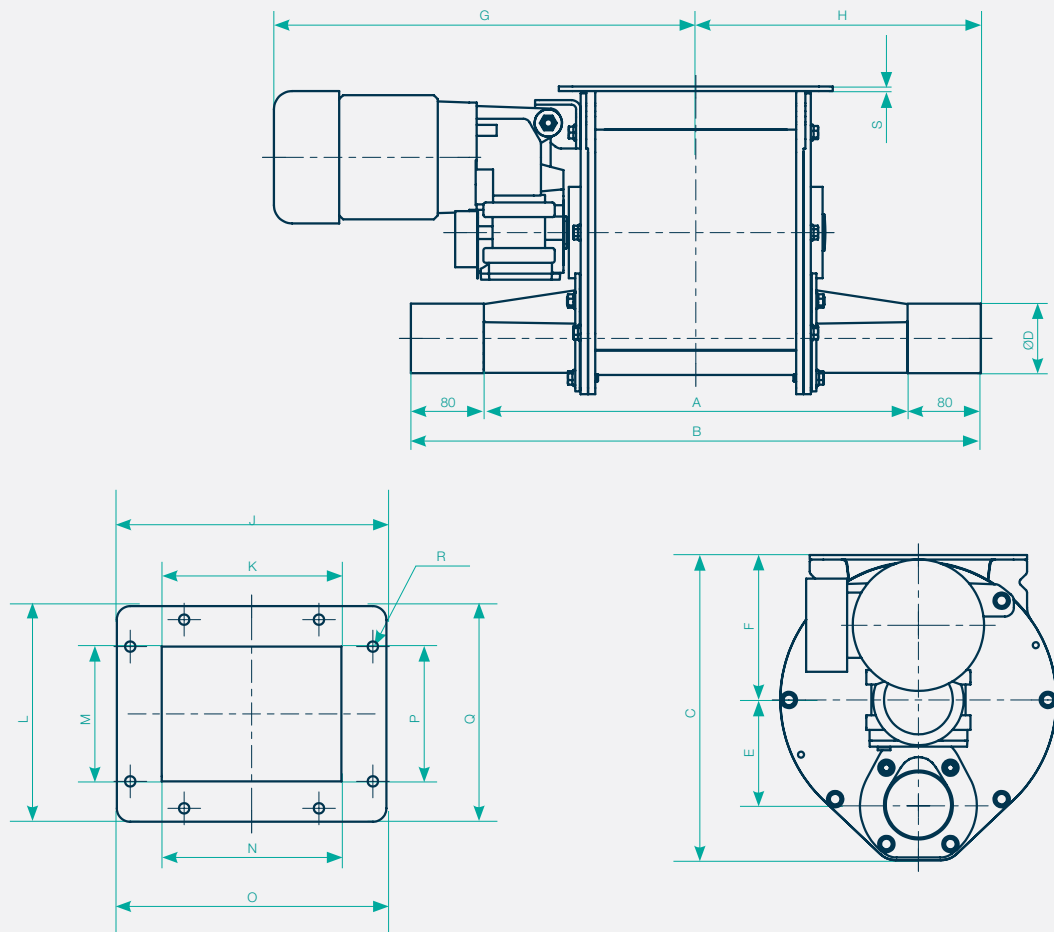
No ATEX zone
Zone 22 (external)
Explosion pressure shock resistant until 3.5 bar
EC type examination for ATEX zone 20/dust class 1

Options:

Frequency converter

Hub rinsing

Blow-through airlock MPSS. Dimensional drawing.



Bühler AG

CH-9240 Uzwil
Switzerland

T + 41 71 955 11 11
F + 41 71 955 66 11

buhlergroup.com/milling

Flyer MPSS/MPST en 04/17 ZACC