

Small Filter.

MVRW



Perfect filter performance. Guaranteed clean and dust-free air.

The MVRW small filter removes dust from the air in industrial processes, for example on airlocks and weighing or conveying systems. It operates at pressures of ± 0.5 bar (round) or ± 50 mbar (rectangular). This small filter satisfies environmental regulations, complies with the explosion protection guidelines of the EU, and thus guarantees the safety of persons and equipment.

Features

- Minimum residual dust content in clean air
- Low purge air requirement
- Energy-efficient series bag (sleeve) clean-off
- Product temperature: $-10\text{ }^{\circ}\text{C}$ to $+90\text{ }^{\circ}\text{C}$
- Ambient temperature: $-20\text{ }^{\circ}\text{C}$ to $+60\text{ }^{\circ}\text{C}$
- Designed as standard for ATEX Zone 22

Options

- Available in stainless steel
- Differential pressure purging
- Filter cartridges with increased filter area



	Filter bag (sleeve)	Filter cartridge
Filter area MVRW round	1.8–14 m ²	6.4–45 m ²
Filter area MVRW rectangular	0.6–7 m ²	8–32 m ²

Filter controller CE/ATEX Zone 22

Features:

- Time-based control
- Flexible adjustment of tickle-off cycles
- Connection for tapper
- Protection class IP 66 / NEMA 4

Options:

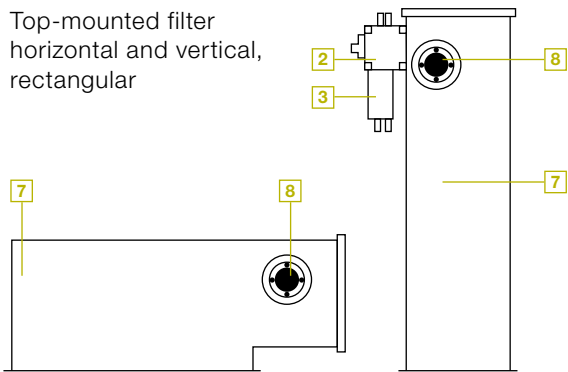
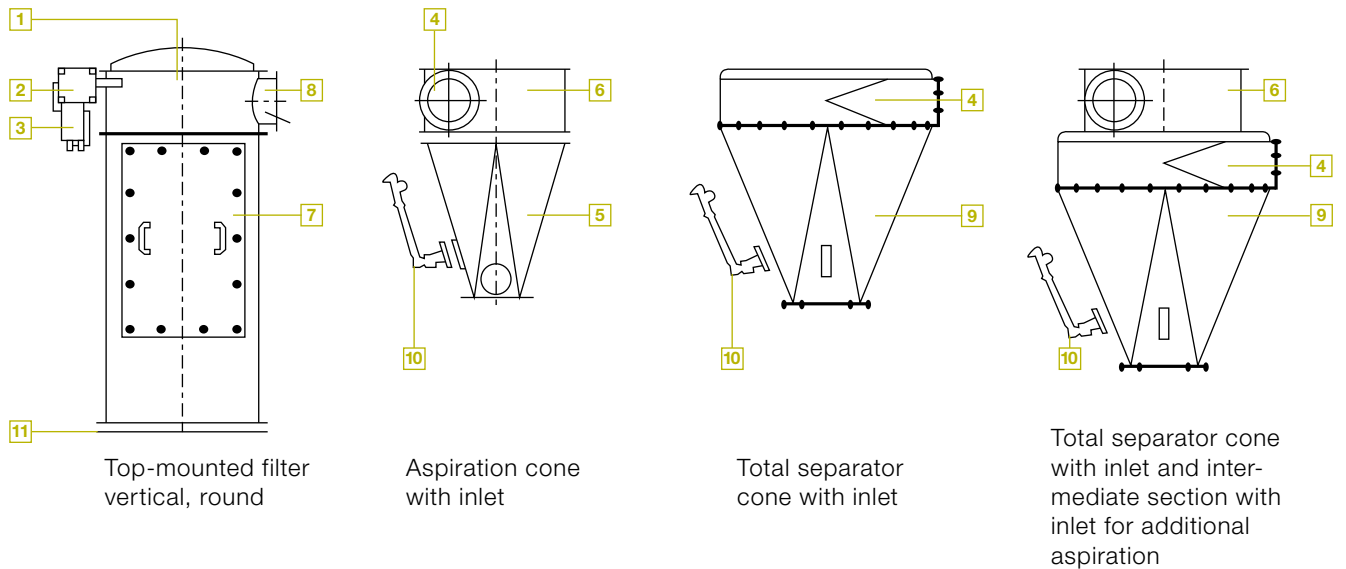
- Differential pressure control
- Heating for low-temperature range



Your benefits

- Clean and dust-free air
- High energy efficiency
- High operating reliability
- Easy maintenance
- Long life cycle

Modular configuration. As flexible as your requirements.



- 1 Filter head
- 2 Pressure tank
- 3 Filter controller
- 4 Raw gas inlet
- 5 Aspiration cone (optionally with support)
- 6 Intermediate section with aspiration inlet
- 7 Filter housing
- 8 Clean gas outlet
- 9 Total separator cone (optionally with support)
- 10 Tapper (optional)
- 11 Intermediate grid (optional)

The right filter for every application

The small filter is used as a top-mounted filter on stand-alone machines and conveyors and at receiving (intake) points. Optional cones allow the round version to be integrated as an aspiration filter or total separator in pneumatic conveying lines.

Small filter, round.

Lower space requirement, higher performance.

Efficient filter bag changes

The filter bags (sleeves) are installed from the side. This enables efficient filter bag changes in tight space conditions.

Optimized compressed air pressure tank

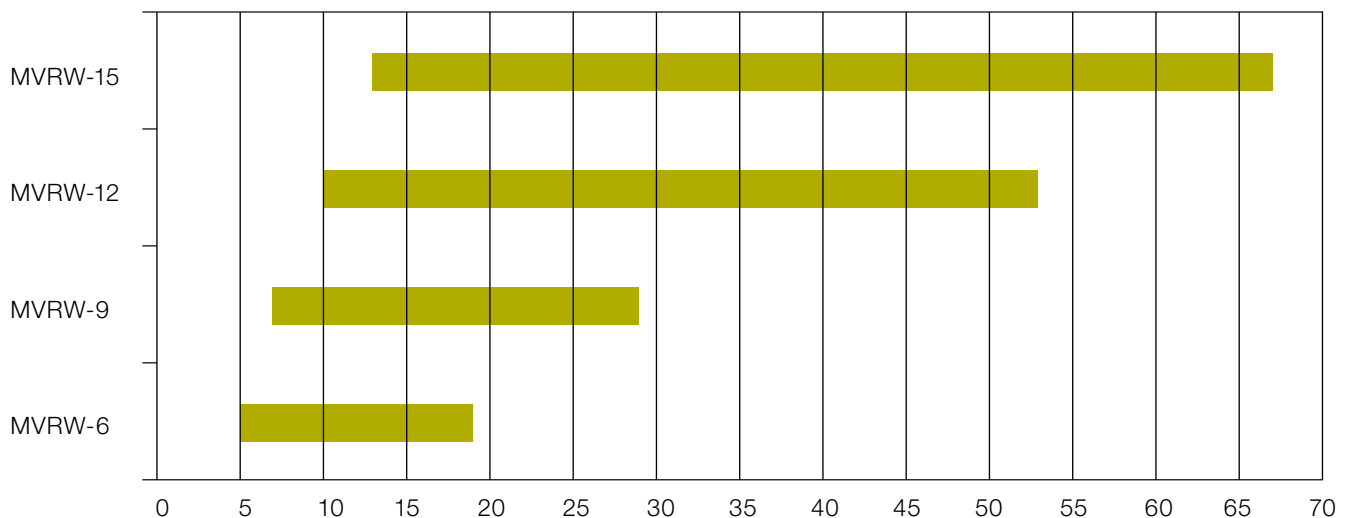
The pressure tank on the side perceptibly reduces the overall height of the small filter. In addition, the filtering process is as energy efficient as never before, thanks to the optimized pressure tank and purging system.

Options

- Mount-on fan
- Intermediate grid
- Explosion relief
- Dust container




Volumetric flow rate diagram MVRW round*



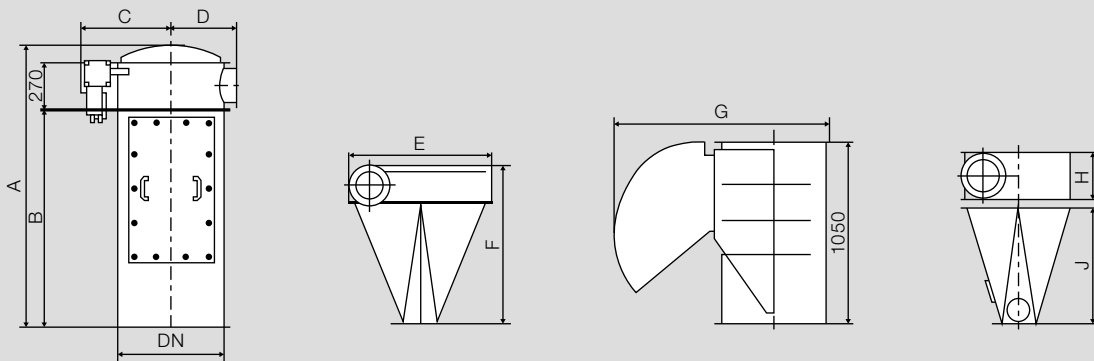
*Volumetric flow rate m³/min at a loading of 3 to 5 m³/m²/min

Small filter, round.

The right filter for every application.

Version	Filter bags	Filter bag length (mm)	Filter area (m ²)	
			6 bags (sleeves)	9 bags (sleeves)
		800	1.8	2.7
		1200	2.7	4.1
		1800	4.1	6.1
			12 bags (sleeves)	15 bags (sleeves)
		800	3.6	4.5
		1200	5.4	6.8
	1800	8.1	10.2	
	2400	11.0	13.6	

Type designation example: round filter with 12 bags at 1800 mm → MVRW-12/18



Specifications

MVRW	Net weight (kg)	A (mm)	B (mm)	C (mm)	D (mm)	DN (mm)	E (mm)	F (mm)	G (mm)	H (mm)	J (mm)
6/8	120	1320	930	576	370	600	906	1010	1310	270 approx.	670
6/12	150	1720	1330								
6/18	170	2120	1930								
9/8	130	1320	930								
9/12	160	1720	1330								
9/18	190	2120	1930								
12/8	160	1340	930	651	443	750	1160	1530	1460	330 approx.	730
12/12	190	1740	1330								
12/18	240	2135	1925								
12/24	280	2940	2530								
15/8	170	1340	930								
15/12	190	1740	1330								
15/18	250	2135	1925								
15/24	290	2940	2530								

Small filter, rectangular.

High performance in a small space.

Optimal utilization of the available space

The rectangular Small Filter is available in two design versions – vertical or horizontal – and fits into any space.

Versatile and flexible

The Small Filter can be applied with high flexibility, for example as a bin-top filter in bulk storage systems or as an aspiration filter on stand-alone machines, scales, or conveyors.

Easy maintenance

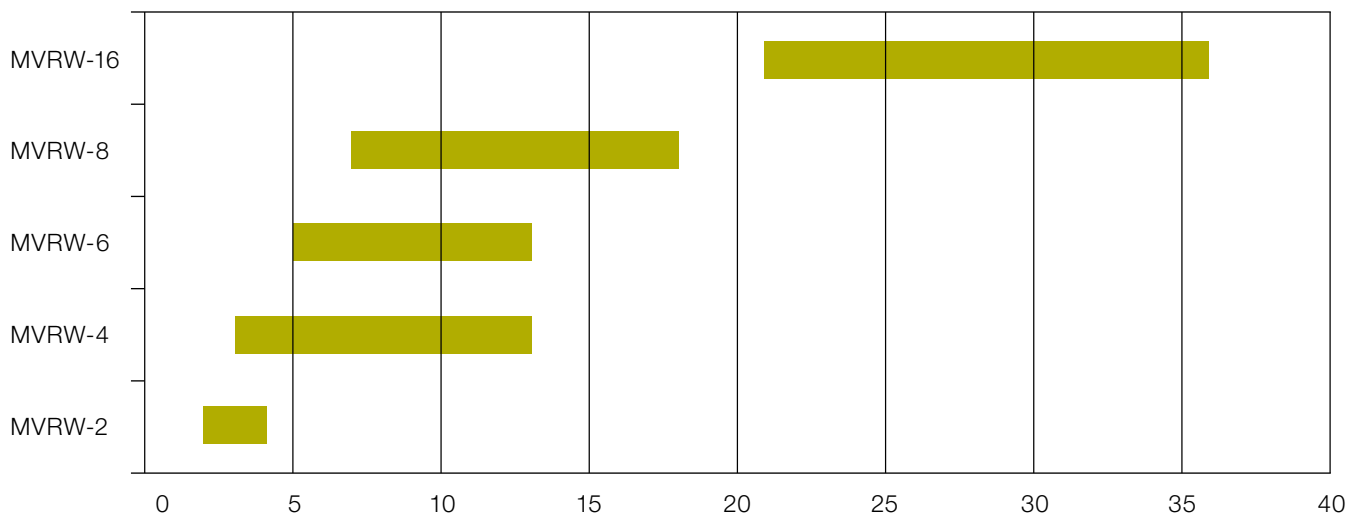
When the Small Filter is installed horizontally, the filter bags (sleeves) are easily accessible from the top and can be exchanged with greater ease.

Options

- Mount-on fan
- Hoppers (horizontal version)









Volumetric flow rate diagram MVRW rectangular*



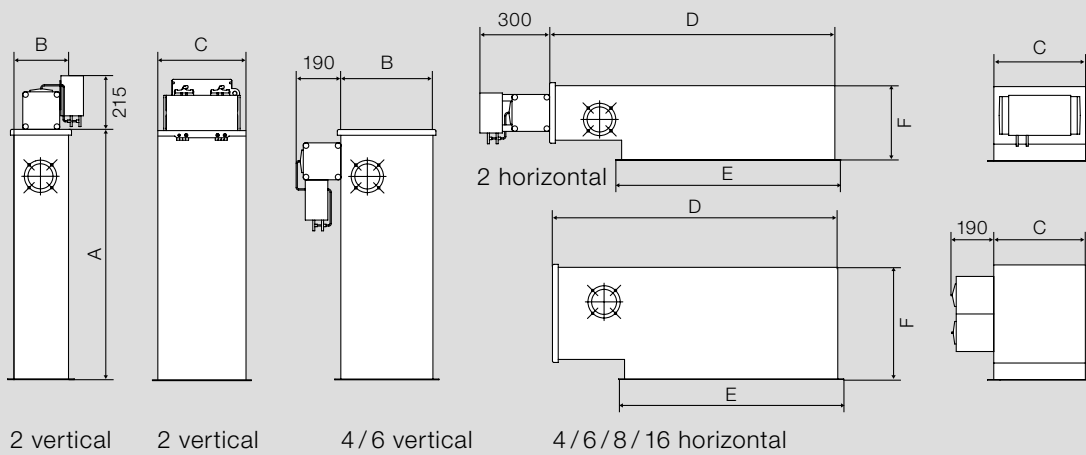
*Volumetric flow rate m³/min with a loading of 3 to 5 m³/m²/min

Small filter, rectangular.

The right filter for every application.

Version	Filter bags	Filter bag length (mm)	Filter area (m ²)
		800	0.6
		1200	0.9
		800	1.2
		1200	1.8
		1800	2.7
		800	1.8
1200		2.7	
	800	2.4	
	1200	3.6	
	1200	7.2	

* Available in mild steel only



Specifications

	MVRW	Net weight (kg)	A (mm)	B (mm)	C (mm)	D (mm)	E (mm)	F (mm)
Horizontal and vertical	2/8	50	1050	220	370	1220	930	300
	2/12	60	1450			1620	1330	
	4/8	70	1210	370	520	1220	930	450
	4/12	80	1610			1620	1330	
	4/18	100	2210			2220	1930	
	Horizontal only	6/8	90	1210	370	520	1220	930
6/12		100	1610	1620			1330	
8/8		100	-	-			670	1220
	8/12	110	-	-	670	1620	1330	
	16/12	180	-	-	670	1620	1330	750

Bühler AG
CH-9240 Uzwil, Switzerland
T +41 71 955 11 11
F +41 71 955 66 11
www.buhlergroup.com

