

Rotary Discharger MZDH.

MZDH – for
material
discharge.



MZDH-62/50 rotary discharger – fixed or variable speed gearing.

Design

The MZDH rotary discharger consists of a housing, a rotor, and a flanged-on drive motor. The unit is powered by a fixed- or variable-speed gearmotor (frequency converter).

Versions

The MZDH rotary discharger is available in:

- Mild steel (powder-coated outside and inside)
- Stainless steel (wear-resistant steel DIN 1,4003, quality grade 1)

Application

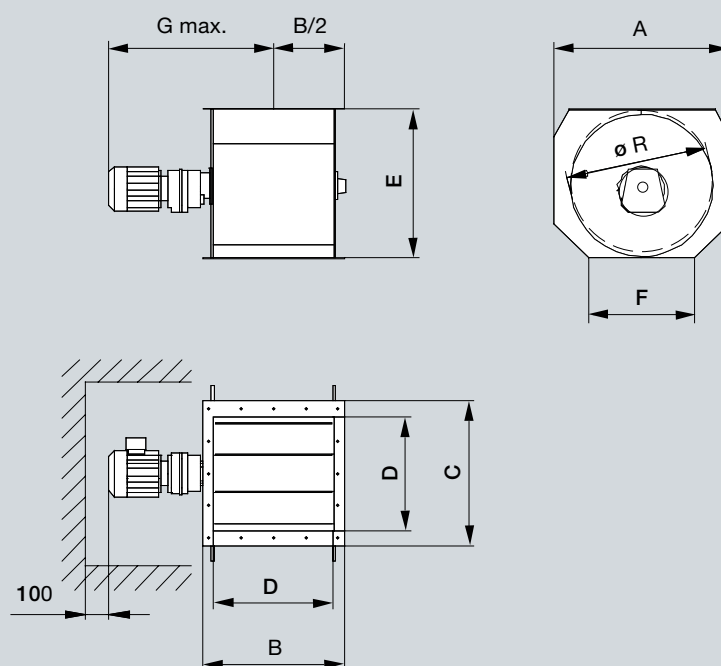
The rotary discharger is applied for discharging freeflowing and non-freeflowing products, its main application being underneath hopper scales. It can also be used for

volumetric proportioning of freeflowing products discharged from a hopper, e.g. lower surge hoppers underneath mixers. The “gearmotor with attached frequency converter” variant is mainly used for separating flour, e.g. underneath flour collection screws.

Features

- Simple design
- Reliable volumetric proportioning thanks to rounded rotor pockets
- Low maintenance, as the bearings are provided with lubrication for life
- Complete series covering the throughput range from 0.8 m³/h bis 120 m³/h

Discharge of freeflowing and non-freeflowing products.



Technical data, dimensions (mm), weights

Model	A	B	C	D	E	F	G max.	ø R	Approx. weights in kg		
									net	gross	sea pack.
26/25	330	330	330	250	276	330	555	265	60	74	81
33/30	380	380	380	300	340	380	580	328	62	78	88
33/30 Stainless	380	380	380	300	340	380	580	328	62	78	88
62/50	760	610	630	500	650	462	800	620	190	220	240
62/50 Stainless	760	610	630	500	650	462	800	620	190	220	240