



Sampler.
MZEA/MZED.

Automatic sampling. **Representative samples.**

Sampling is a highly significant process for satisfying legal traceability requirements. It provides the basis for a monitored and documented product quality.



MZEA sampler.

Application.

For automatic sampling of free-flowing products from gravity spouts.

Versions.

- For granular products: MZEA
- For semolina-like and floury products: MZEA-M
- Compatible with MZET and MZEP sample collectors

Operating principle.

The sampling arm covers the entire of the spout cross-section and thus ensures representative samples. The interval for drawing the required number of samples can be selected as required between 1 and 600 samples per hour.



MZED sampler.

Application.

For automatic sampling of semolina-like and floury products from vertical pneumatic pressure conveying lines.

Versions.

- Pulse control by electronic controller or WinCos®
- With aspiration connection (MZED-A) or dust-collection filter (MZED-F)
- Compatible with MZET and MZEP sample collectors
- Stainless design as a standard.

Operating principle.

The sampling pipe is opened and closed by a pneumatically actuated piston. When the sampler is open, the sample is drawn from the conveying line and transferred to the sample collector.

MZEА/MZЕD samplers. For monitored product quality.

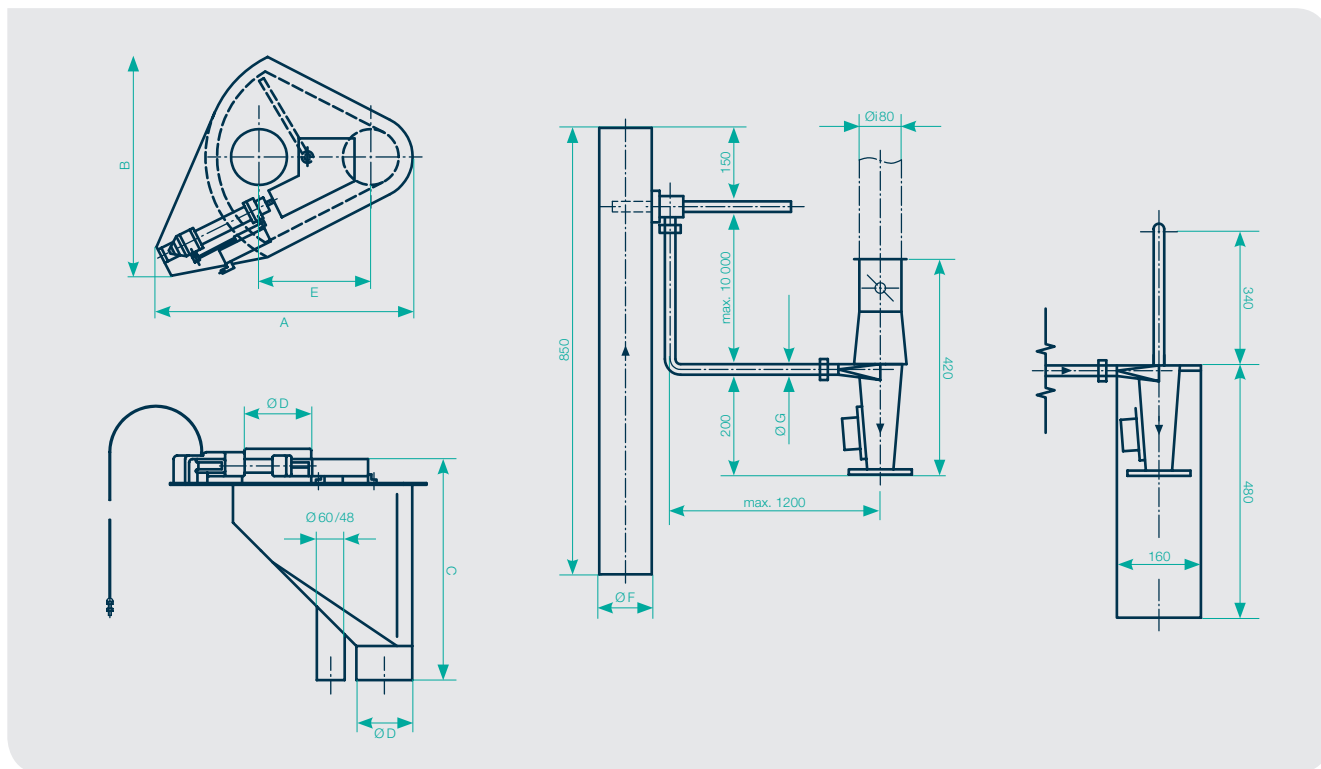
Technical data of the MZEА sampler:

	MZEА-12	MZEА-15	MZEА-20	MZEА-25	MZEА-30	MZEА-12-M	MZEА-15-M	MZEА-20-M
Number of samples/h	1– 600							1– 600
Dimensions mm								
A	550	620	670	775	870	550	620	670
B	470	500	605	674	810	470	500	605
C	450	500	660	760	870	595	665	785
D	120	150	200	250	300	120	150	200
E	240	275	325	410	485	240	275	325
Weight (net) kg	30	40	55	75	90	40	55	80

Technical data of the MZЕD sampler:

F mm 65 ... 170

G mm 31/19



The information and data contained in this documentation are provided without guarantee and are subject to change without prior notice.

Bühler AG

CH-9240 Uzwil
Switzerland

T +41 71 955 11 11
F +41 71 955 66 11

buhlergroup.com/milling

Flyer Sample Collector MZET en 06/17 ZACC