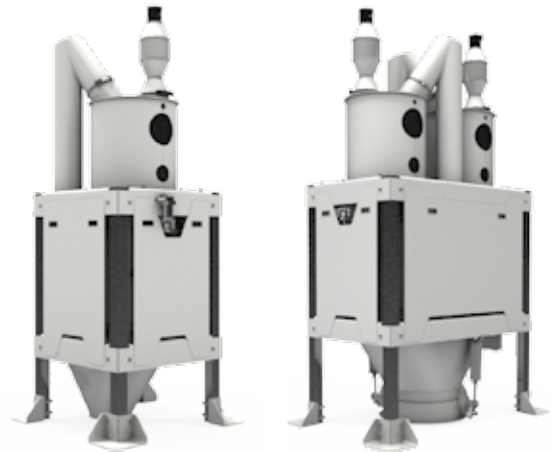


# Bagging Scale

MSDD



# Accurate weighing. Exact bag weights.



## **Bagging Scale MSDD.**

Available as single or double scale.

## **Bagging Scale MSDD.**

For the precise weighing of granular and powdered products.

### **Application**

The automatic MSDD bagging scale is a dump scale designed for weighing of granular and powdered products. Depending on the specific product, feed is by single screw, twin screw, belt feeder, or slide gate feeder.

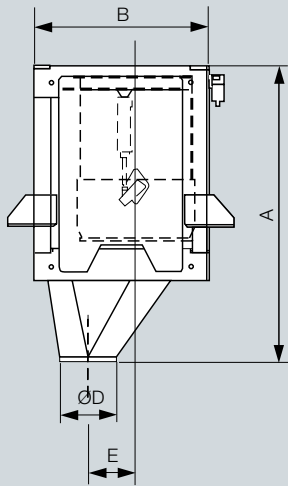
### **Design**

The weigh hopper is suspended in an inherently stable manner through three electronic load cells. This allows the determination of the actual product weight. The jacketless design of the scale combined with an optimized air recirculation flow prevent undesirable dust accumulations and ensure excellent sanitation.

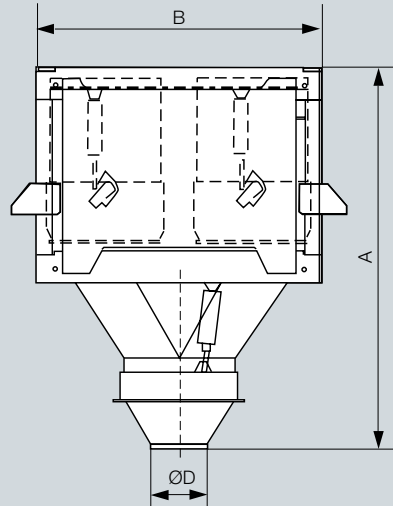
### **Advantages, features**

- Accurate weighing
- High sanitation
- High operating reliability
- Easy operation and maintenance

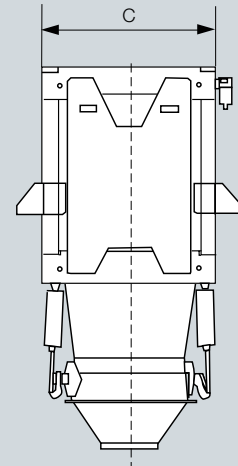
No dust accumulations.  
High operating reliability.



MSDD-80, -120, -240



MSDD-80/D, -120/D



**Dimensions in mm**

Model	Bagging station	Bag weight	A	B	C	ØD	E
MSDD-80	MWPM	10 – 40 kg <sup>1)</sup>	1460	770	770	310	199
	MWPF-A					400	244
	MWPF-E					400	244
MSDD-80/D	MWPM	10 – 32 kg <sup>1)</sup>	1816	1150	770	310	-
	MWPF-A		1753			400	
MSDD-120	MWPM	20 – 60 kg <sup>1)</sup>	1614	950	950	310	258
	MWP-A					400	303
	MWP-E					400	303
MSDD-120/D	MWPM	20 – 60 kg <sup>1)</sup>	2075	1600	950	310	-
	MWPF-A		2010			400	
MSDD-240	MWPQ	30 – 50 kg <sup>2)</sup>	2039	950	950	400	303

<sup>1)</sup> For products with bulk density 0.5 kg/dm<sup>3</sup>

<sup>2)</sup> For products with bulk density 0.22 kg/dm<sup>3</sup>

Bühler AG  
CH-9240 Uzwil, Switzerland  
T +41 71 955 11 11  
F +41 71 955 66 11  
[www.buhlergroup.com](http://www.buhlergroup.com)

